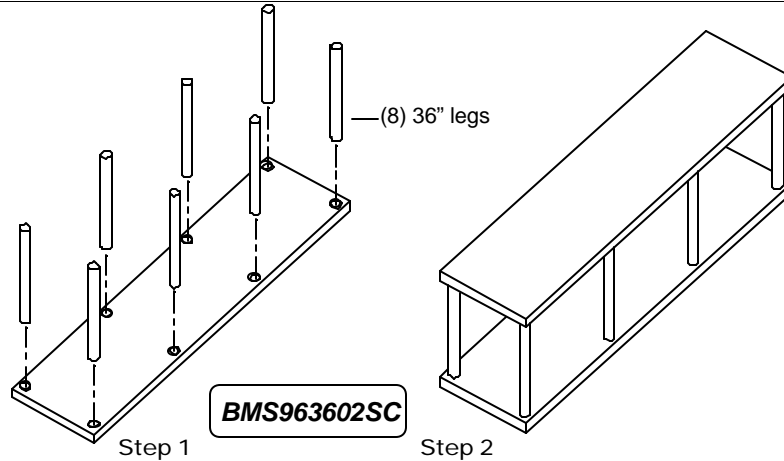
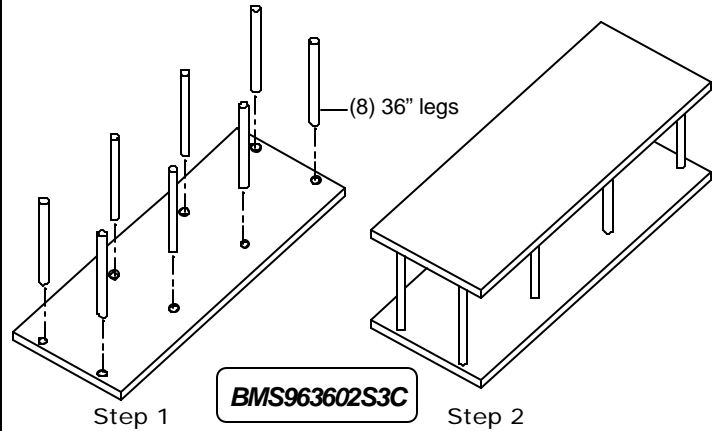
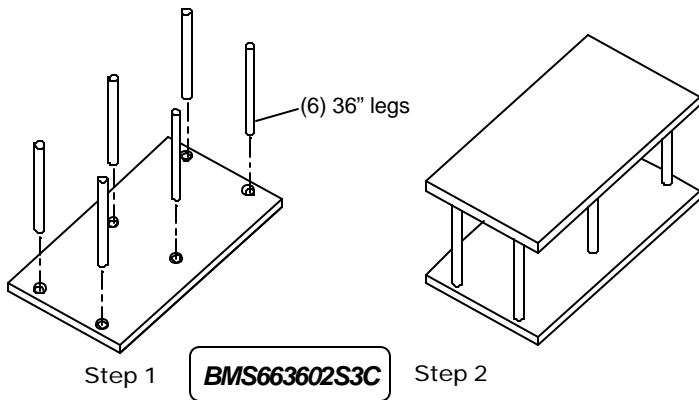
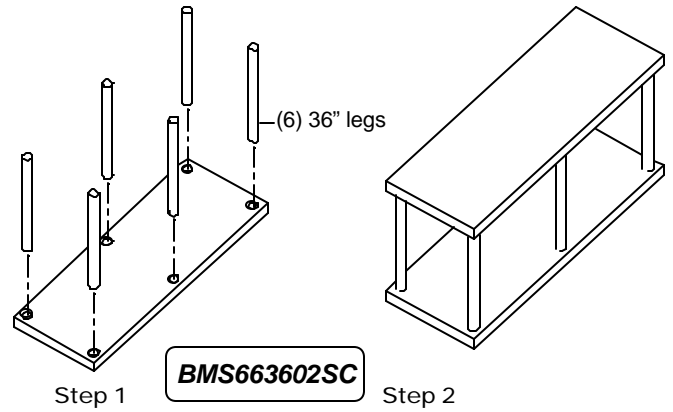
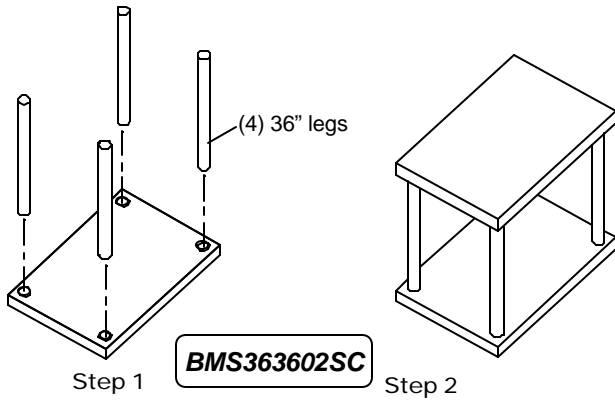


BenchmasterR ASSEMBLY INSTRUCTIONS

Easy Cube Solid Tops w/ 36" Legs

Oil all sockets before assembly



Step 1

Place panels with open hole sockets on the floor. Insert 36" legs in each panel as shown. (Make sure legs are pushed all the way down).

Step 2

Place panels with closed hole sockets on legs as shown.