



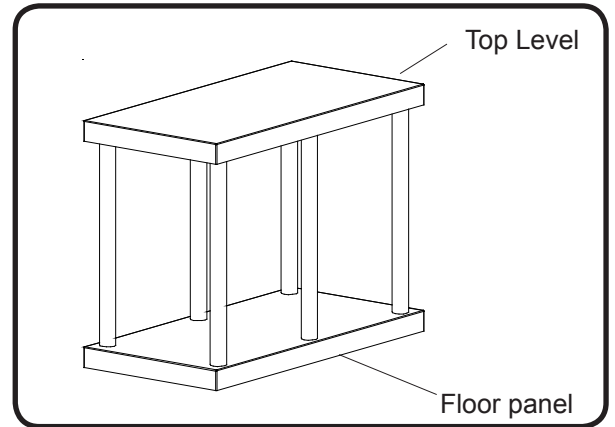
**Check All
Components**

BENCHMASTER[®]
All Plastic Display Systems

ASSEMBLY INSTRUCTIONS

Easy Cube
BMS483602SC

Fully Assembled

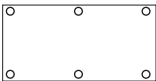


Components:

Panels



(1) 2' x 4' Solid Panel

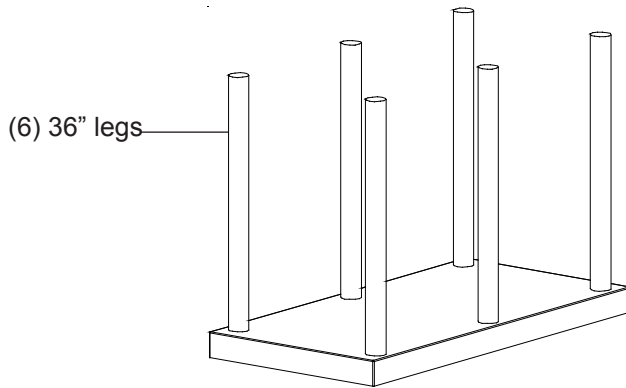


(1) 2' x 4' Solid Panel
open hole sockets

Legs: (6) 36"

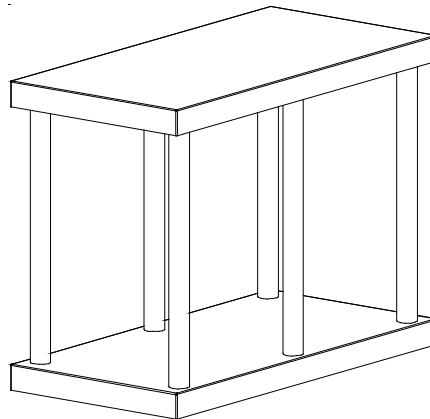


**Oil all sockets
before assembly**



Step 1

Insert **(6) 36" legs** into
Floor Panel (open hole
socket)



Step 2

Next, slide **(1) Top Panel (closed
hole sockets)** on **36" legs**. Make
sure panel is pushed all the way down
as shown.