



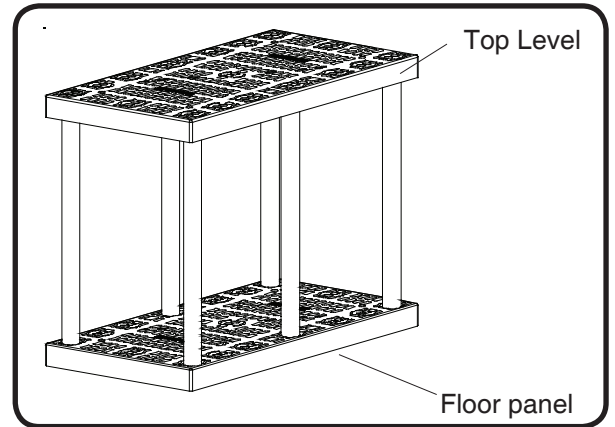
**Check All
Components**

BENCHMASTER[®]
All Plastic Display Systems

ASSEMBLY INSTRUCTIONS

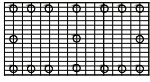
Easy Cube
BM483602SC

Fully Assembled

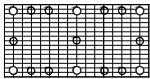


Components:

Panels



(1) 2' x 4' Panel



(1) 2' x 4' Panel
open hole sockets

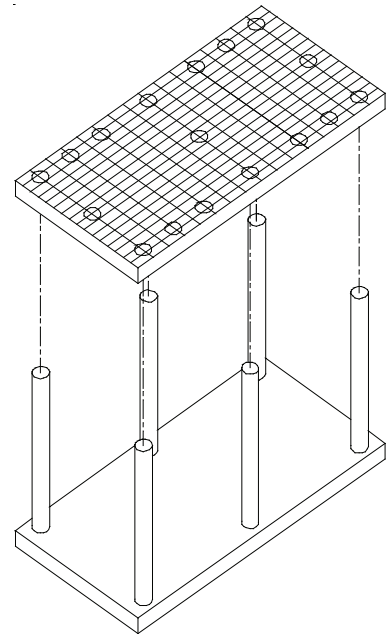
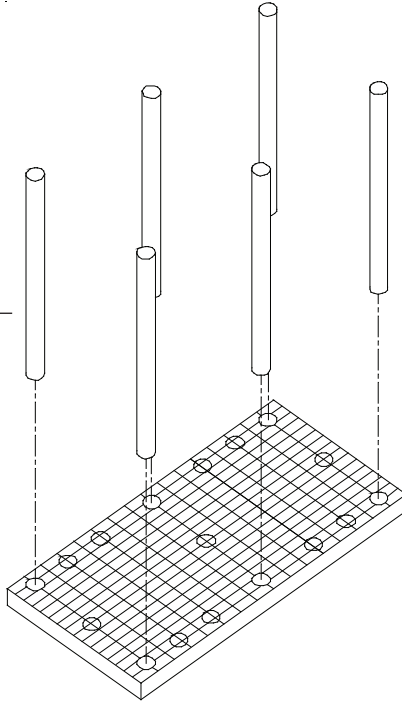
Legs: (6) 36"


**Oil all sockets
before assembly**

(6) 36" legs

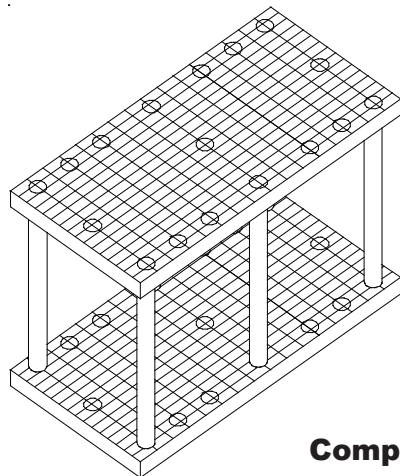
Step 1

Insert (6) 36" legs into
Floor Panel (open hole
socket)



Step 2

Next, slide (1) **Top Panel (closed
hole sockets)** on 36" legs. Make
sure panel is pushed all the way
down.



Complete