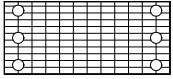


ASSEMBLY INSTRUCTIONS

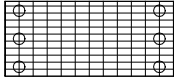
SM9645140 Octagon

Components:

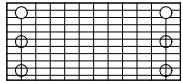
Panels: 20



(6) Floor Level
(all drilled sockets)



(10) 1st, 2nd, 4th Level
(regular sockets)



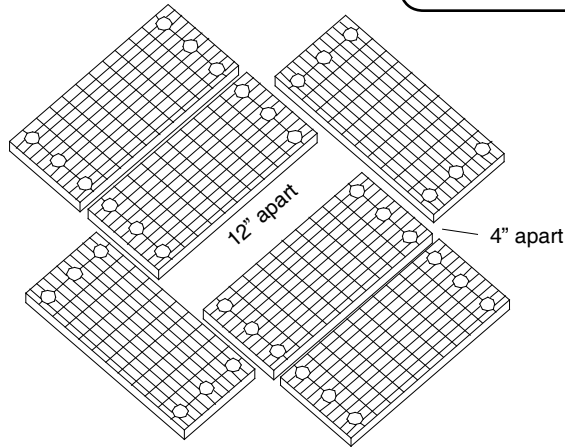
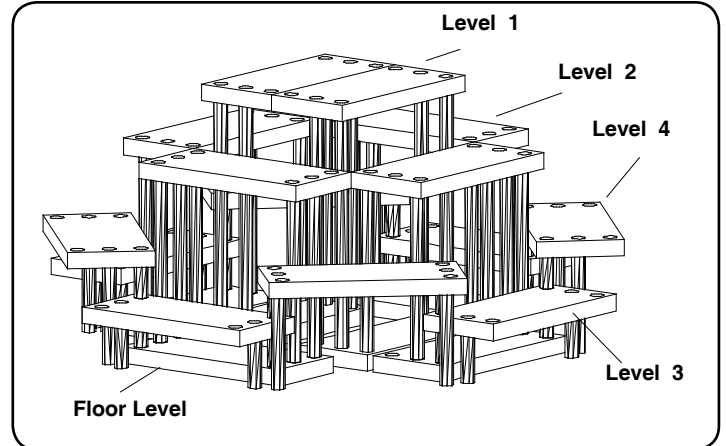
(4) 3rd Level (Red dots)
(2 drilled sockets)

Legs:

- 8 -- 12"
- 16 -- 24"
- 16 -- 36"
- 8 -- 48"

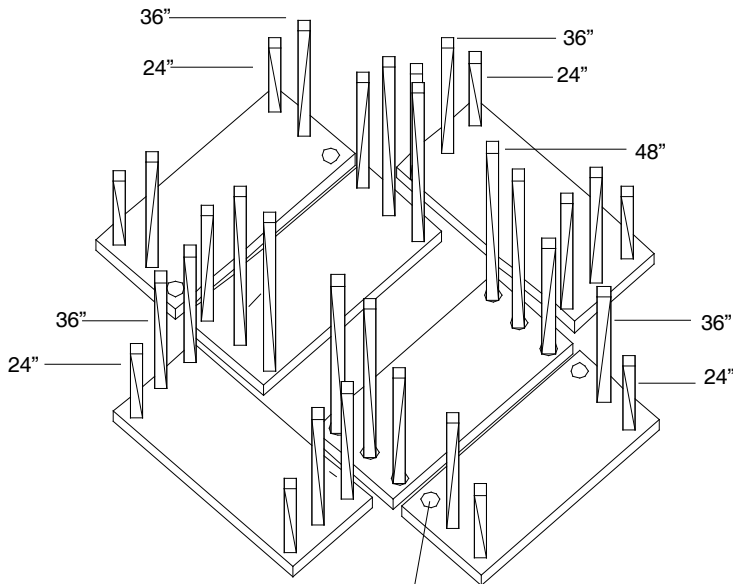
**Oil All Sockets
Before Assembly**

Fully Assembled



Step 1 Floor Level

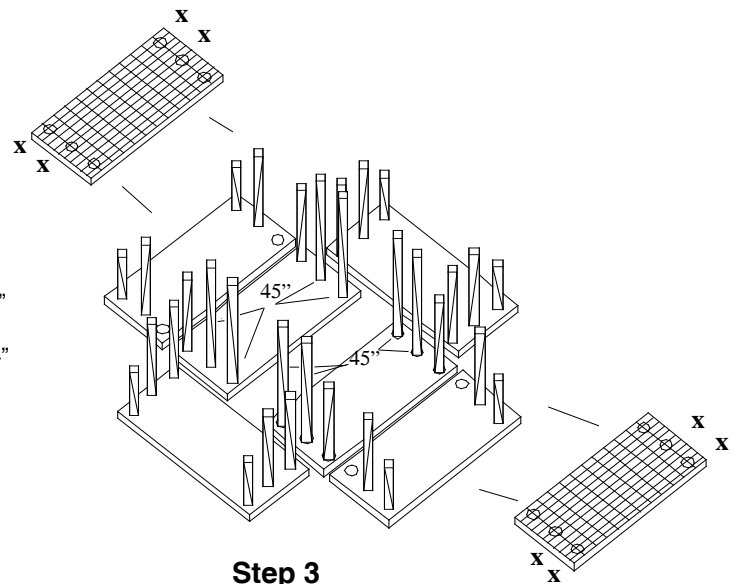
Lay 6 floor panels (drilled sockets) in position



Step 2 Legs

Place 48" legs as shown. Next place 36" legs. Place the 24" last.

No leg in 4 holes

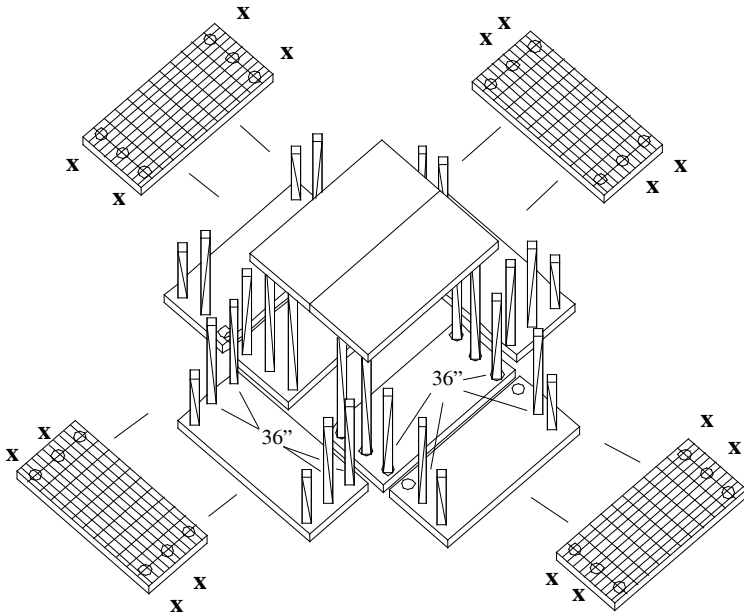


Step 3 Level 1

Place 2 top panels on 48" legs (tallest) with sockets marked with an X.

ASSEMBLY INSTRUCTIONS

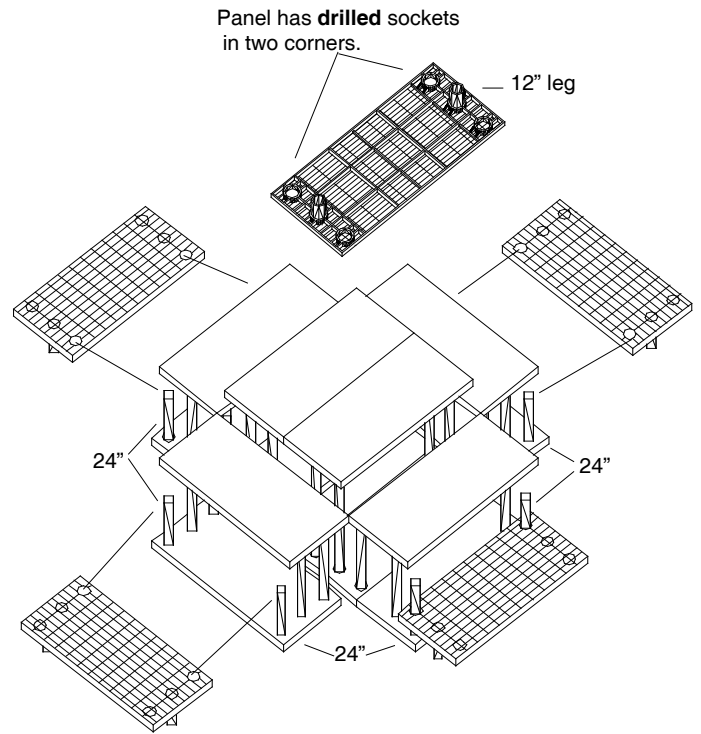
SM964514O Octagon



Step 4

Level 2

Place 4 top panels on the 36" legs with sockets marked with an X.

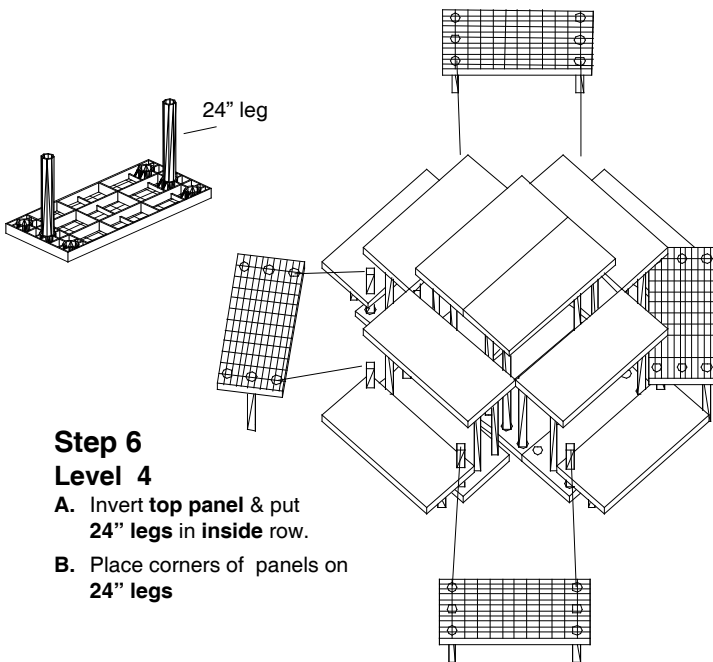


Step 5

Level 3

A. Invert panel & put 12" legs in inside row

B. Place drilled corners on 24" legs. Make sure panel is pushed to the floor.



Step 6

Level 4

A. Invert top panel & put 24" legs in inside row.

B. Place corners of panels on 24" legs

