

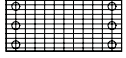
# STEPMASTER™ ASSEMBLY INSTRUCTIONS

## SINGLE LEVEL UNIT

Oil all sockets before assembly

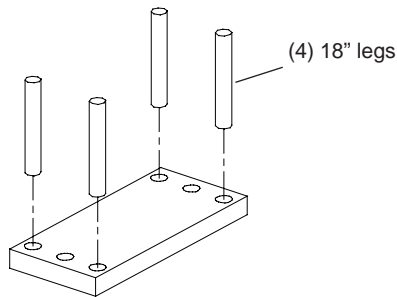
### Components:

1E / SM361801S-36"

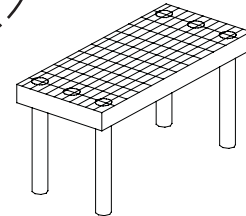
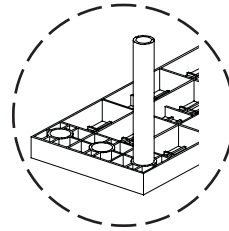


Panels: (1) - 16"x36"

Legs: (4) - 18" legs



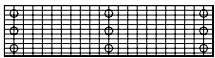
Step 1



Step 2

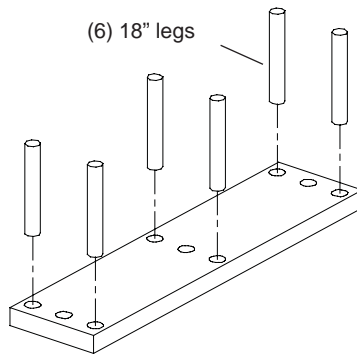
### Components:

1F / SM661801S-66"

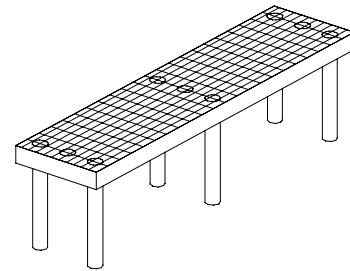


Panels: (1) - 16"x66"

Legs: (6) - 18" legs



Step 1



Step 2

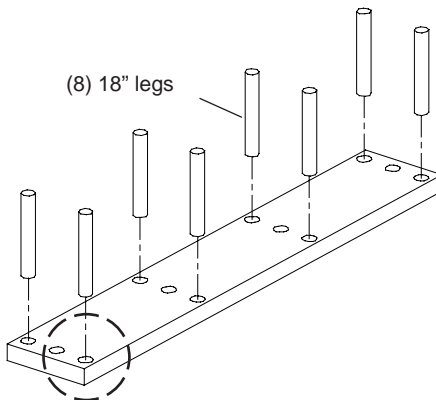
### Components:

1G / SM961801S-96"

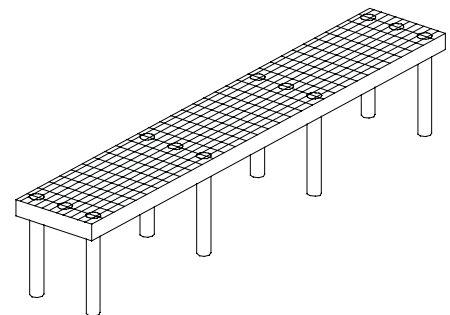


Panels: (1) - 16"x96"

Legs: (8) - 18" legs



Step 1



Step 2

### Step 1

Invert panel and place 18" legs as shown.  
(Make sure legs are pushed all the way down).

### Step 2

Return bench to upright position.