

# STEPMASTER™ ASSEMBLY INSTRUCTIONS

## 2 SHELF WALL UNIT

Oil all sockets before assembly

### Components:

SM362402W-36"

#### Panels:

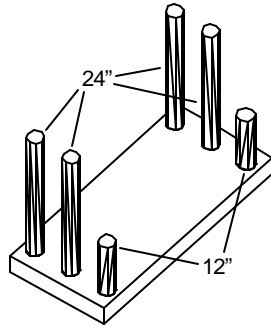


(1) Floor panel  
(open hole sockets)

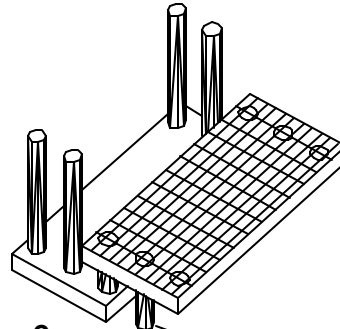


(2) Middle and Top panels  
(closed hole sockets)

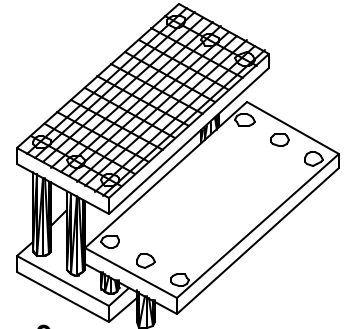
Legs: (4) 12" - (4) 24"



**Step 1**  
Floor level



**Step 2**  
Middle level



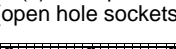
**Step 3**  
Top level

### Components:

SM662402W-66"

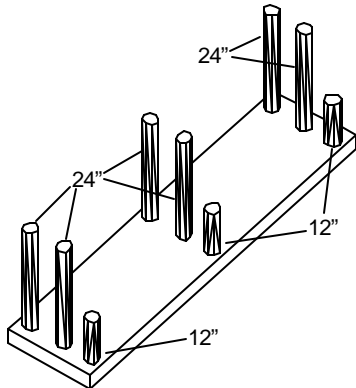
#### Panels:

(1) Floor panel  
(open hole sockets)

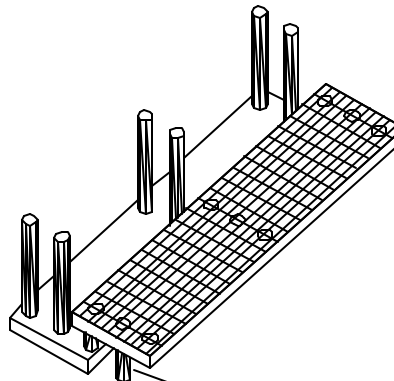


(2) Middle and Top panels  
(closed hole sockets)

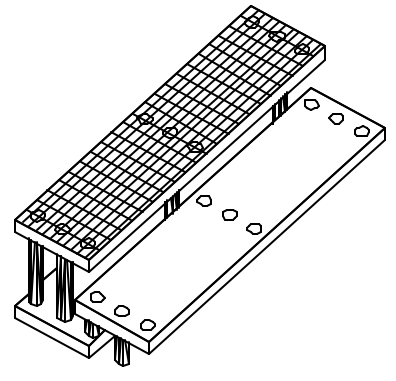
Legs: (6) 12" - (6) 24"



**Step 1**  
Floor level



**Step 2**  
Middle level



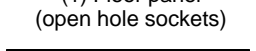
**Step 3**  
Top level

### Components:

SM962402W-96"

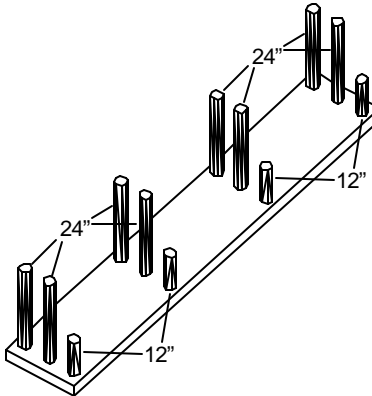
#### Panels:

(1) Floor panel  
(open hole sockets)

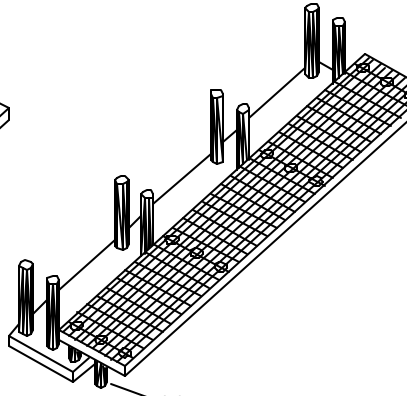


(2) Middle and Top panels  
(closed hole sockets)

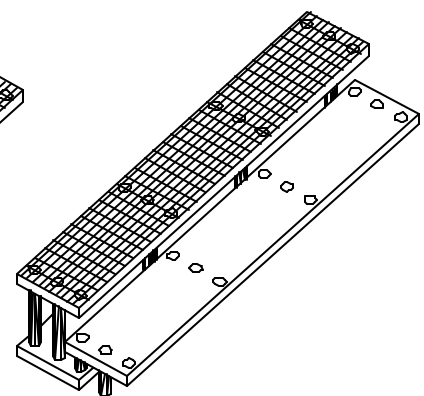
Legs: (8) 12" - (8) 24"



**Step 1**  
Floor level



**Step 2**  
Middle level



**Step 3**  
Top level

### Step 1

Lay floor panel (**open hole sockets**) in position and place legs as shown. (Make sure legs go through to ground.)

### Step 2

Invert middle panel (**closed hole sockets**) and insert **12"** legs in middle row of sockets. Next position panel on **12"** legs in floor panel.

### Step 3

Position the top panel (**closed hole sockets**) on **24"** legs in floor panel overhanging outside edge as shown. (Make sure panels are pushed all the way down.)