

STEPMASTER™ ASSEMBLY INSTRUCTIONS

5 SHELF PYRAMID

Oil all sockets before assembly

Components:

SM363605P-36"

Panels:



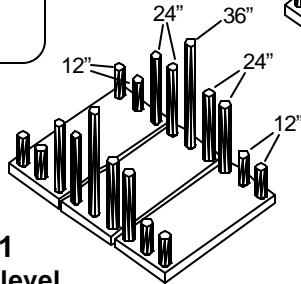
(3) Floor panel
(open hole sockets)



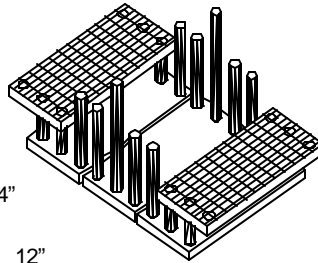
(5) 1st, 2nd, & 3rd Levels
(closed hole sockets)

Legs:

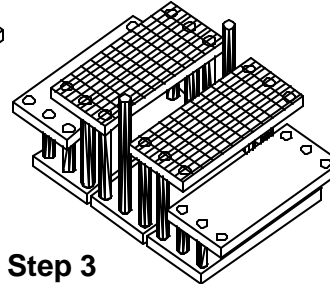
(12) - 12"
(8) - 24"
(2) - 36"



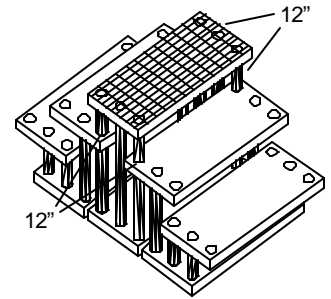
Step 1
Floor level



Step 2
1st level



Step 3
2nd level

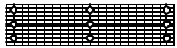


Step 4
3rd level

Components:

SM663605P-66"

Panels:



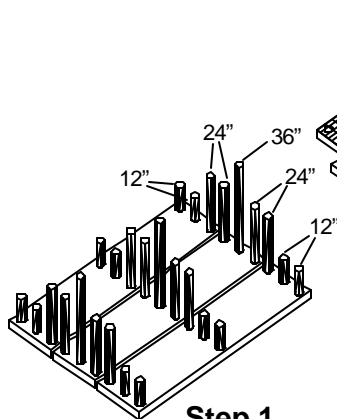
(3) Floor panel
(open hole sockets)



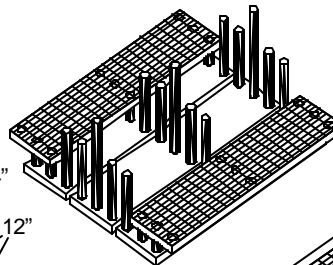
(5) 1st, 2nd, & 3rd Levels
(closed hole sockets)

Legs:

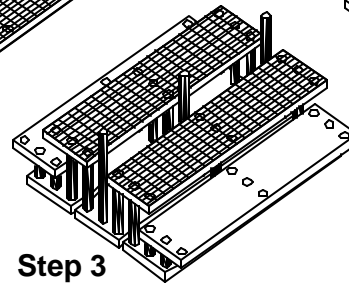
(18) - 12"
(12) - 24"
(3) - 36"



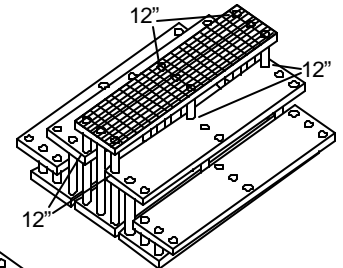
Step 1
Floor level



Step 2
2nd level



Step 3
2nd level



Step 4
3rd level

Components:

B-SN58 / SM963605P-96"

Panels:



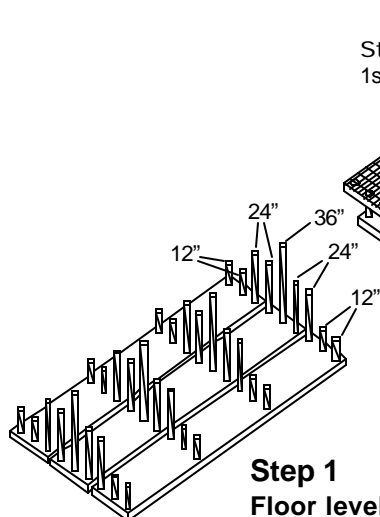
(3) Floor panel
(open hole sockets)



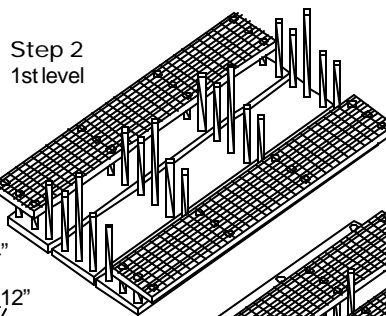
(5) 1st, 2nd, & 3rd Levels
(closed hole sockets)

Legs:

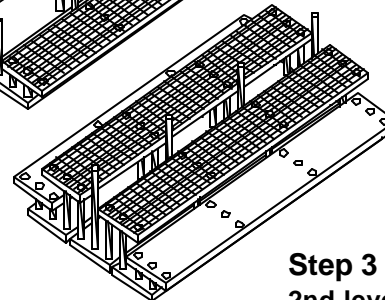
(24) - 12"
(16) - 24"
(4) - 36"



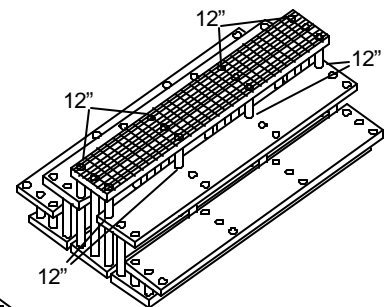
Step 1
Floor level



Step 2
1st level



Step 3
2nd level



Step 4
3rd level

Step 1

Lay floor panels (**open hole sockets**) in position and place legs as shown. (Make sure legs go through to ground).

Step 2 and Step 3

Position the **(2) 1st level** and **(2) 2nd level** panels (closed hole sockets) overhanging outside edges as shown. Push down until leg rests on top of socket.

Step 4

Place the remaining **12" legs** in the outside sockets of the 3rd level panel. Next position panel on **36" legs** using inside row of sockets as shown. Push down until leg rests on top of socket.