



STEPMASTER™ ASSEMBLY INSTRUCTIONS

3 SHELF WALL UNIT SM363603WWB

Check All Components

Components: SM363603WWB

Panels:



(2) Floor Panels
(open hole sockets)



(3) 1st, 2nd and 3rd Levels
(closed hole sockets)

Legs:

(8) - 12"

(4) - 24"

(4) - 36"

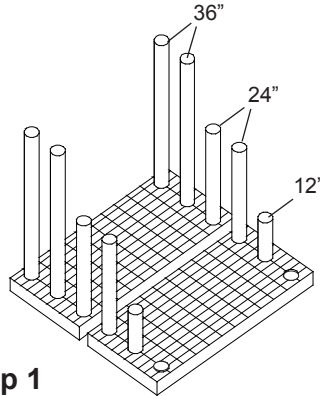
Waterbeds:



(1) - without holes

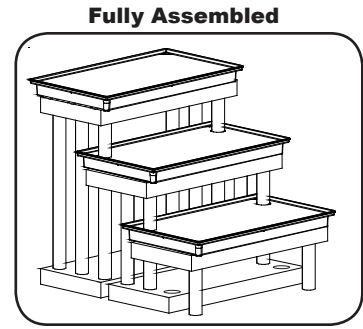


(2) - with holes

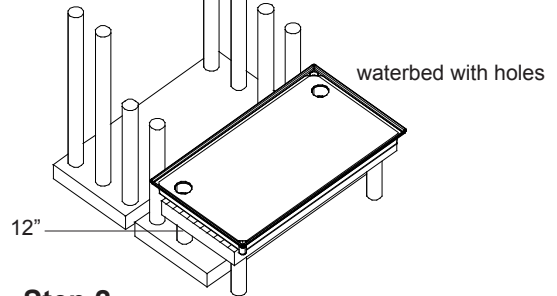
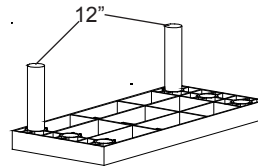


Step 1 Floor level

Lay floor panels (**open hole sockets**) in position and place legs as shown. (Make sure legs go through to ground).



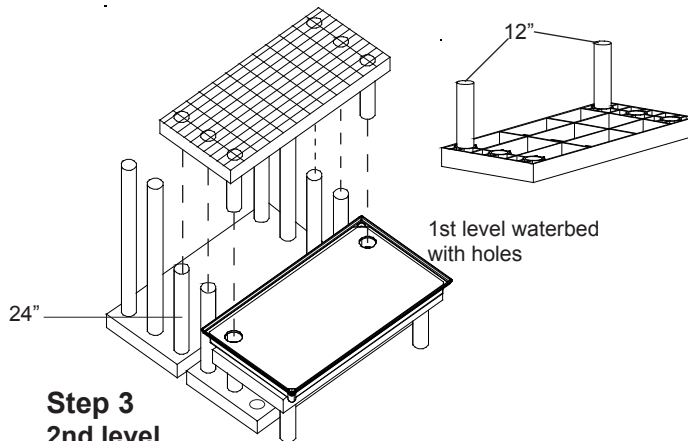
Fully Assembled



Step 2 1st level

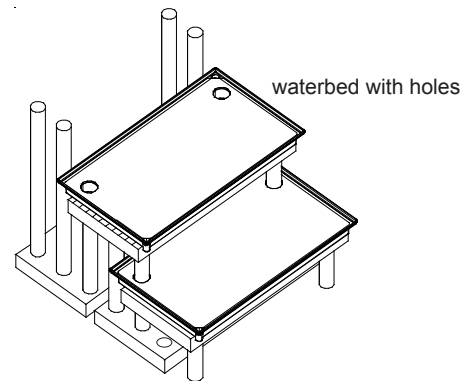
A. Invert the **1st, 2nd & 3rd level panels (closed hole sockets)** and insert (2 ea) 12" legs in outside sockets as shown. Position 1st level above 12" legs as shown. Push down until leg rests on top of socket.

B. Next, lay one waterbed with open holes on the first level with the holes to the back as shown.



Step 3 2nd level

Position **2nd level panel over 24" legs and 12" legs over 1st level waterbed** as shown. Slide 12" legs into holes of waterbed. Push down until 24" legs rest on top of socket.



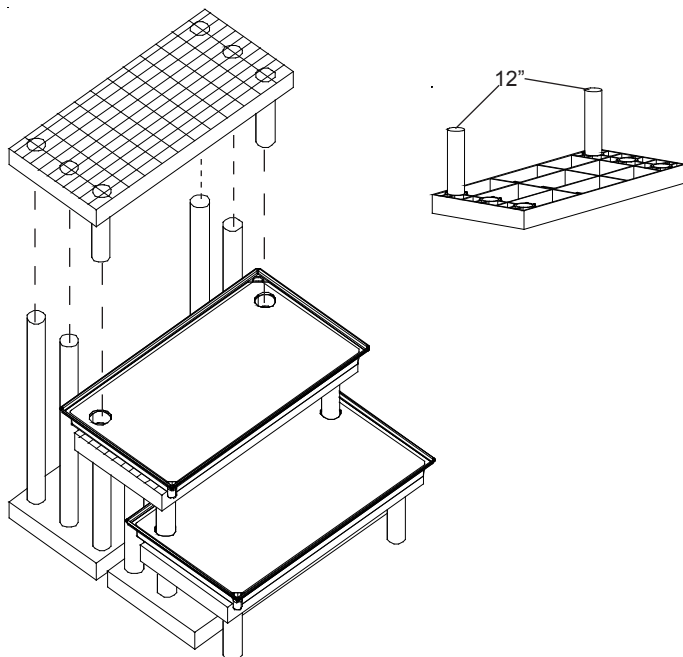
Step 4 Waterbed with holes

Position second waterbed with holes on 2nd level with holes to the back.

STEPMASTER™ ASSEMBLY INSTRUCTIONS

3 SHELF WALL UNIT

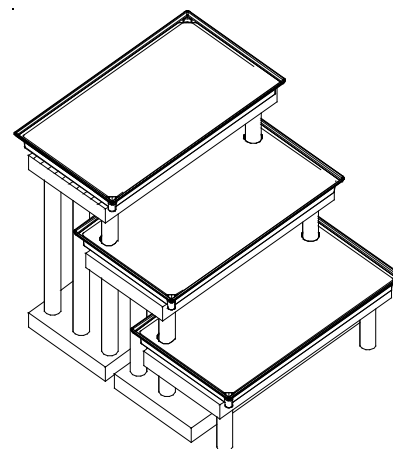
SM363603WWB



Step 5

3rd Level

The third level repeat step 3.



Step 6

Waterbed With out holes

Position waterbed without holes on top of the 3rd level.