

STEPMASTER™ ASSEMBLY INSTRUCTIONS

2 SHELF WALL UNIT

Oil all sockets before assembly

Components:

SM362402W-36"

Panels:

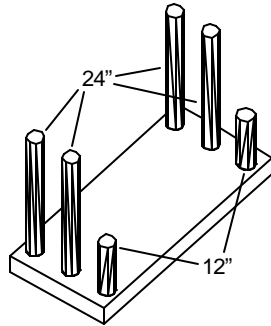


(1) Floor panel
(open hole sockets)

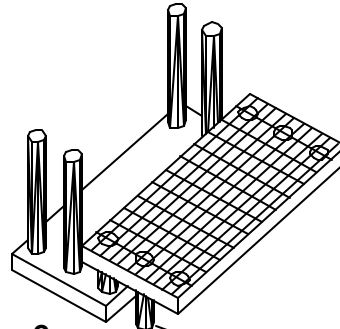


(2) Middle and Top panels
(closed hole sockets)

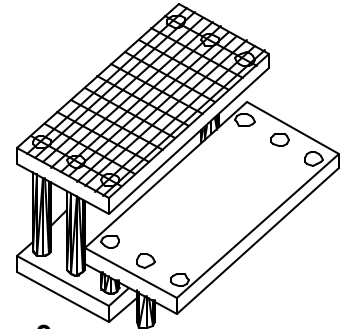
Legs: (4) 12" - (4) 24"



Step 1
Floor level



Step 2
Middle level



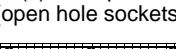
Step 3
Top level

Components:

SM662402W-66"

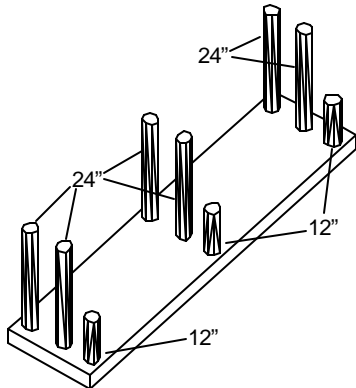
Panels:

(1) Floor panel
(open hole sockets)

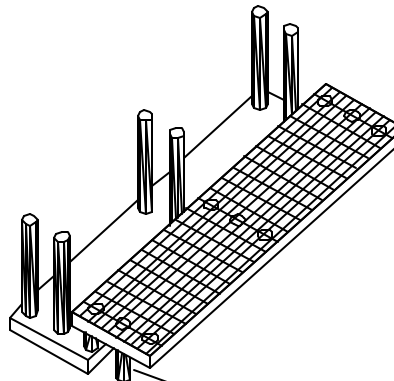


(2) Middle and Top panels
(closed hole sockets)

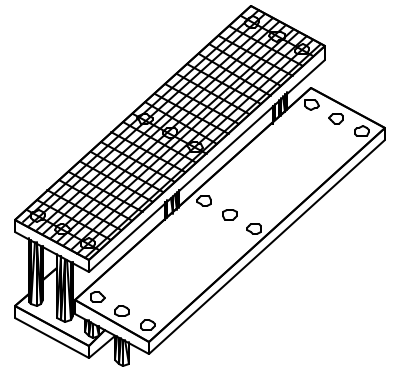
Legs: (6) 12" - (6) 24"



Step 1
Floor level



Step 2
Middle level



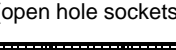
Step 3
Top level

Components:

SM962402W-96"

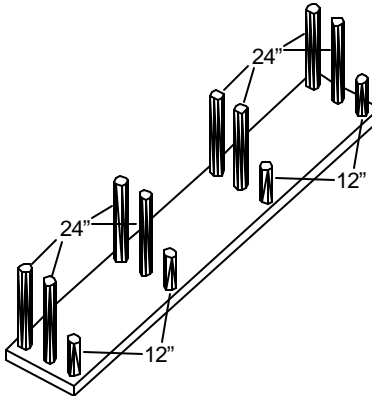
Panels:

(1) Floor panel
(open hole sockets)

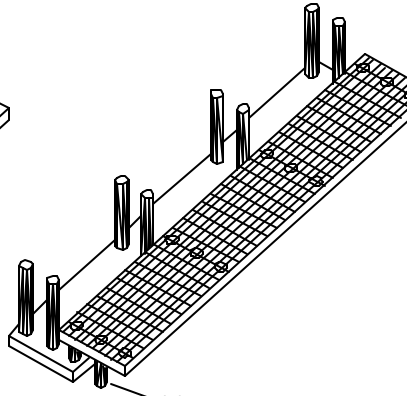


(2) Middle and Top panels
(closed hole sockets)

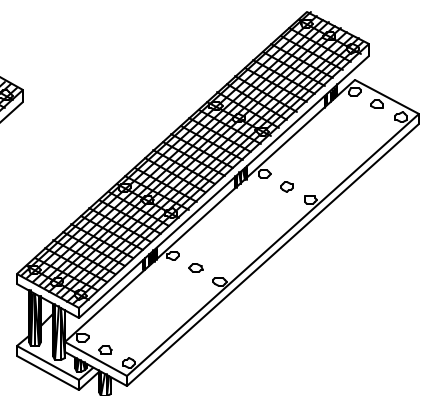
Legs: (8) 12" - (8) 24"



Step 1
Floor level



Step 2
Middle level



Step 3
Top level

Step 1

Lay floor panel (**open hole sockets**) in position and place legs as shown. (Make sure legs go through to ground.)

Step 2

Invert middle panel (**closed hole sockets**) and insert **12" legs** in middle row of sockets. Next position panel on **12" legs** in floor panel.

Step 3

Position the top panel (**closed hole sockets**) on **24" legs** in floor panel overhanging outside edge as shown. (Make sure panels are pushed all the way down.)