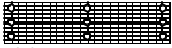


**Components  
SC662403P**

**Panels:**



(2) Floor panels  
(open hole sockets)



(3) 1st and 2nd level  
panels  
(closed hole sockets)

**Legs:**

(12) 12"  
(6) 24"

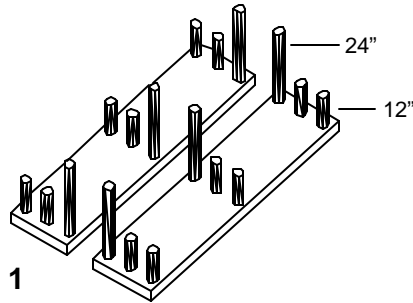
**Accessories:**

(3 - Mobile Bars)

# STEPMASTER™ ASSEMBLY INSTRUCTIONS

## SC662403P 3 STEP PYRAMID/Cart - 66"

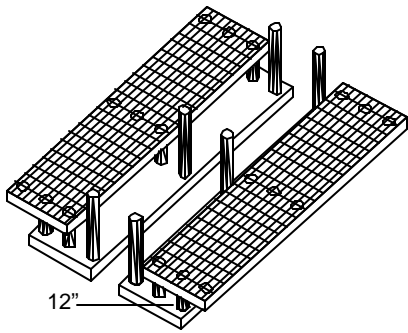
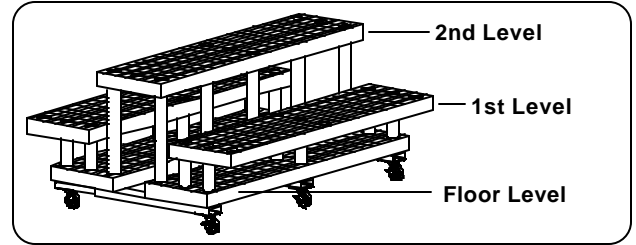
Oil all sockets before assembly



### Step 1 Floor level

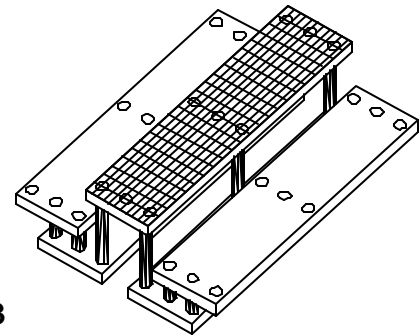
Lay (2) floor panels (open hole sockets) in position and insert 12" and 24" legs in sockets as shown. (Make sure legs go through to ground).

### Fully Assembled



### Step 2 1st level

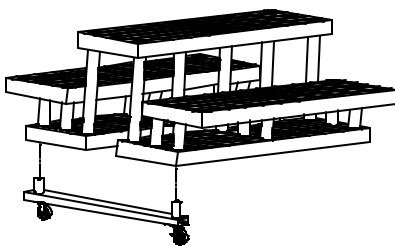
Position the (2) 1st level panels (closed hole sockets) overhanging outside edges as shown. Push down until leg rests on top of socket.



### Step 3 2nd level

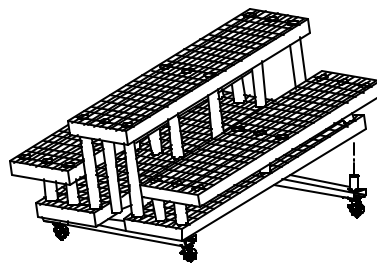
Position (1) 2nd level panel (closed hole sockets) on (6) 24" legs located in floor panel. Insert legs into outside sockets of 2nd level panel. Push down until leg rests on top of socket.

## Mobile Bar



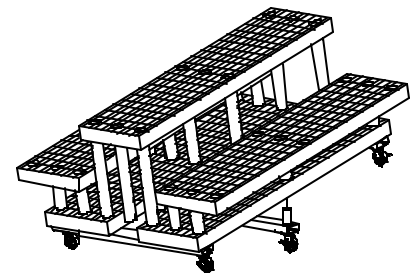
### Step 4

After fixture has been built lift either side of fixture and position one mobile bar under the fixture inserting the stems, of the mobile bar, inside the outside sockets of the floor panels as shown. **Caster with brake** may go on either side of fixture.



### Step 5

Next, repeat **step 5** for the opposite end of fixture as shown.



### Step 6

Lift either end of fixture while holding mobile bar in place. Position the last mobile bar in the center of the fixture inserting the stems into the center outside sockets of the floor panels as shown.