

Components:
SC362402W

Panels:



(1) Floor Panels
(open hole sockets)



(2) 1st and 2nd Levels
(closed hole sockets)

Legs:

(4) - 12"
(4) - 24"

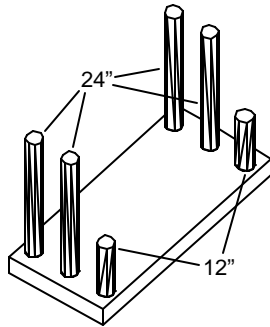
Accessories:
(2) - Mobile Bars

STEPMASTER™ ASSEMBLY INSTRUCTIONS

SC362402W

2 SHELF MOBILE WALL UNIT

Oil all sockets before assembly

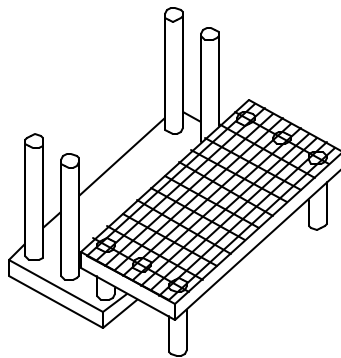
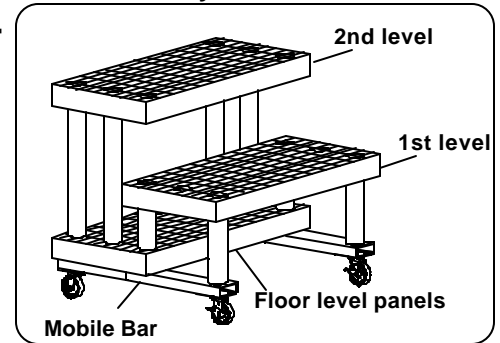


Step 1

Floor panels

Lay floor panel (**open hole sockets**) in position and place legs as shown. (Make sure legs go through to ground).

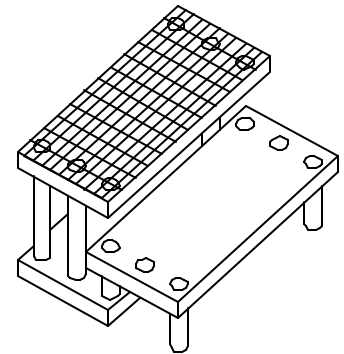
Fully Assembled



Step 2

1st level

Invert middle panel (**closed hole sockets**) and insert **12" legs** in front row of sockets. Next, place the panel in position as shown.



Step 3

2nd level

Position the top panel (**closed hole sockets**) on **24" legs** in floor panel overhanging outside edge as shown. (Make sure panels are pushed all the way down.)

Mobile Bar

Step 4 Mobile Bar

Position fixture on its back side and insert the stems of the mobile bar inside the sockets as shown.

Brakes go to the front of the fixture.

