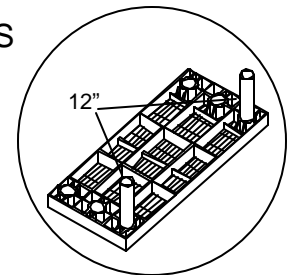


# STEPMASTER™ ASSEMBLY INSTRUCTIONS

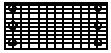
## 3 SHELF NARROW WALL UNIT



### CW363603 Components:



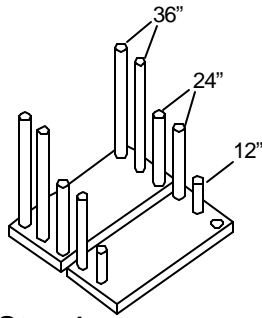
(2) Floor Panels  
(open hole sockets)



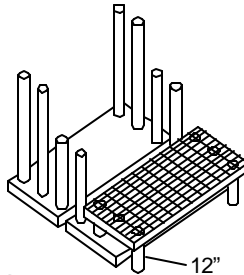
(3) 1st, 2nd and 3rd Levels  
(closed hole sockets)

**Legs:** (4)-36", (4)-24"  
and (8)-12"

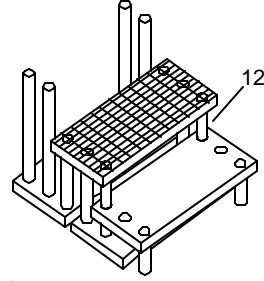
**Oil all sockets  
before assembly**



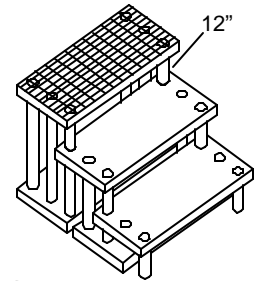
**Step 1**  
Floor level



**Step 2**  
1st level



**Step 3**  
2nd level



**Step 4**  
3rd level

### 3' DISPLAY UNIT

### CW663603 Components:



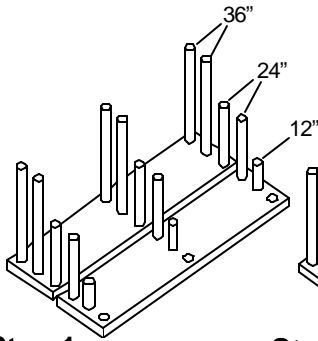
(2) Floor Panels  
(open hole sockets)



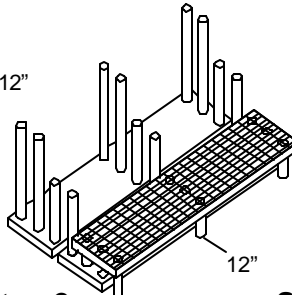
(3) 1st, 2nd and 3rd Levels  
(closed hole sockets)

**Legs:** (6)-36", (6)-24"  
and (12)-12"

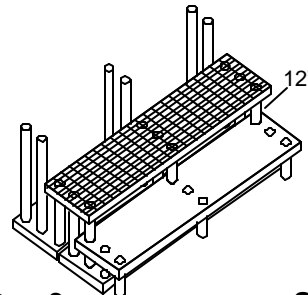
### 5.5' DISPLAY UNIT



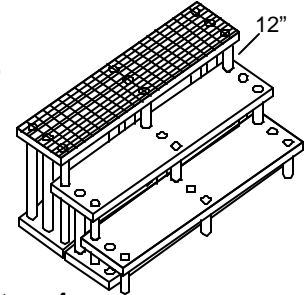
**Step 1**  
Floor level



**Step 2**  
1st level



**Step 3**  
2nd level



**Step 4**  
3rd level

### CW963603 Components:



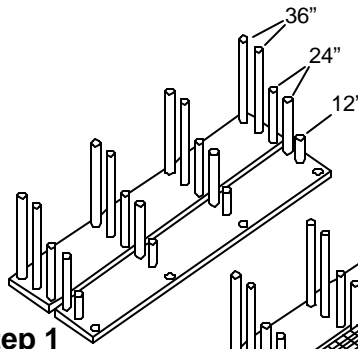
(2) Floor Panels  
(open hole sockets)



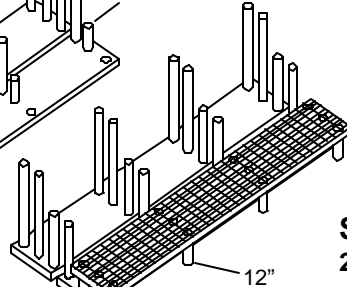
(3) 1st, 2nd and 3rd Levels  
(closed hole sockets)

**Legs:** (8)-36", (8)-24"  
and (16)-12"

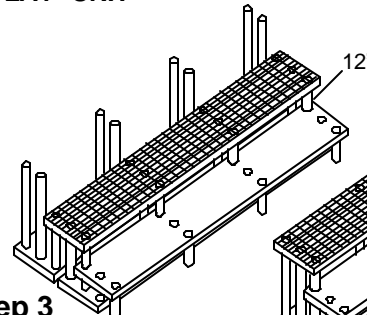
### 8' DISPLAY UNIT



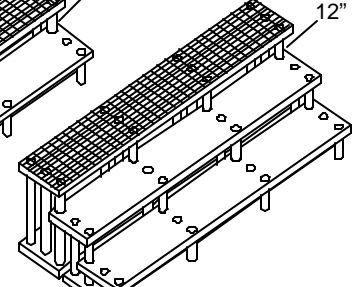
**Step 1**  
Floor level



**Step 2**  
1st level



**Step 3**  
2nd level



**Step 4**  
3rd level

### Step 1

Lay floor panels (**open hole sockets**) in position and place legs as shown. (Make sure legs go through to ground).

### Step 2 and step 3

Invert 1st and 2nd level panels (**closed hole sockets**) and place **12" legs** in outside rows of sockets. Next return panels to upright position and place on **12"** and **24"** legs in floor panels.

### Step 4

Invert 3rd level panel (**closed hole sockets**) and place **12" legs** in outside row of sockets. Next return panel to upright position and place on **36"** legs in floor panel.