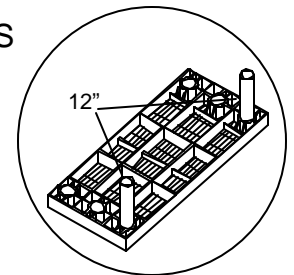




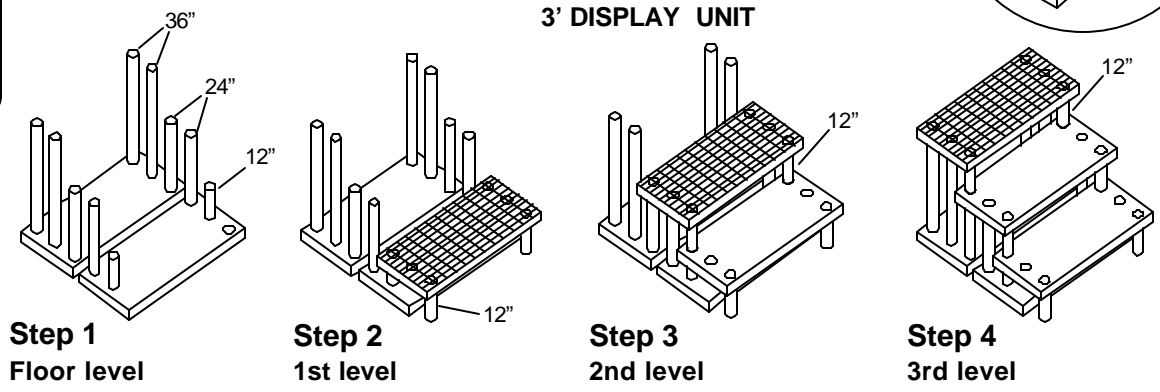
# STEPMASTER™ ASSEMBLY INSTRUCTIONS

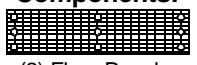

## 3 SHELF NARROW WALL UNIT

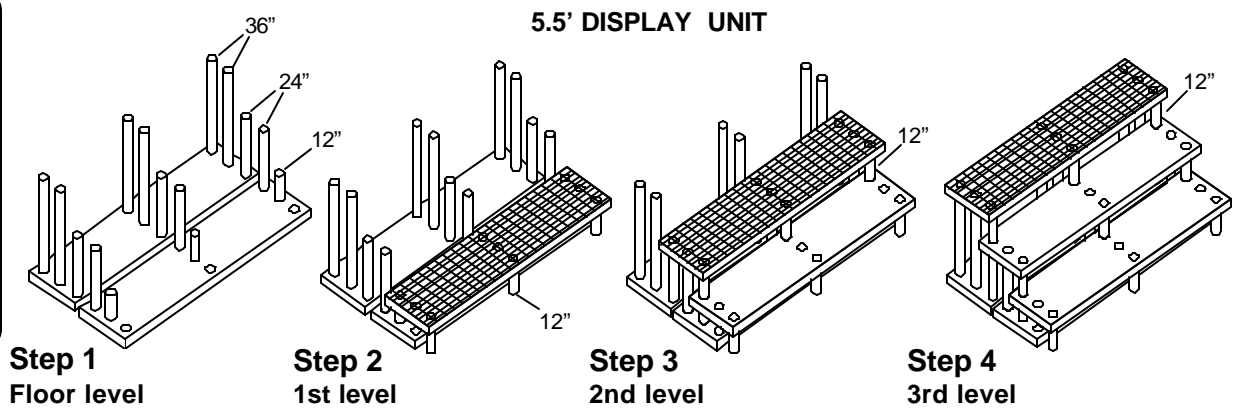




**CW363603**  
**Components:**  
  
 (2) Floor Panels  
 (open hole sockets)  
  
 (3) 1st, 2nd and 3rd Levels  
 (closed hole sockets)  
**Legs:** (4)-36", (4)-24"  
 and (8)-12"

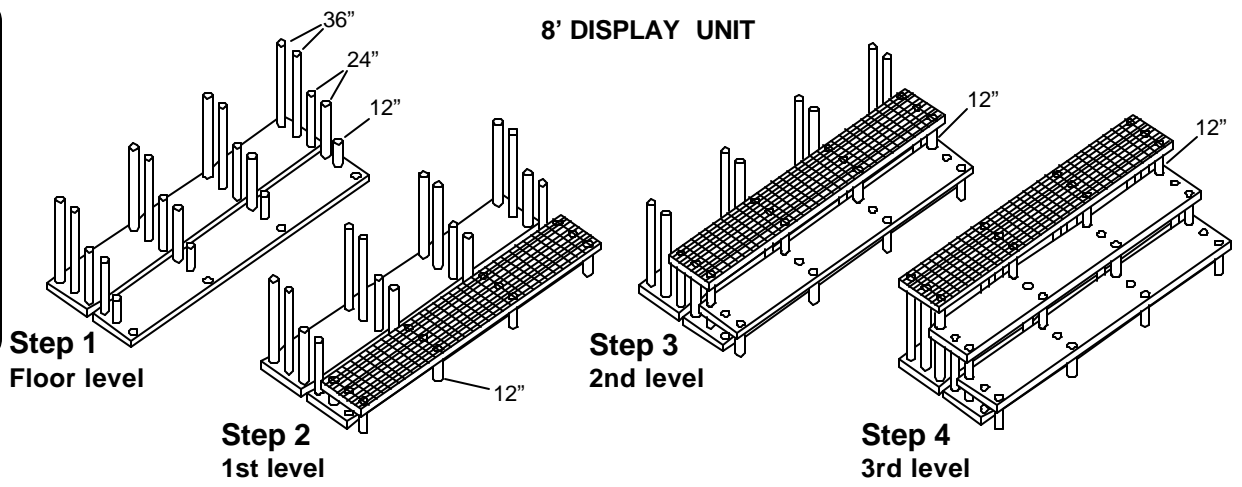
**Oil all sockets  
 before assembly**



**CW663603**  
**Components:**  
  
 (2) Floor Panels  
 (open hole sockets)  
  
 (3) 1st, 2nd and 3rd Levels  
 (closed hole sockets)  
**Legs:** (6)-36", (6)-24"  
 and (12)-12"



**CW963603**  
**Components:**  
  
 (2) Floor Panels  
 (open hole sockets)  
  
 (3) 1st, 2nd and 3rd Levels  
 (closed hole sockets)  
**Legs:** (8)-36", (8)-24"  
 and (16)-12"



**Step 1**  
 Lay floor panels (**open hole sockets**)  
 in position and place legs as shown. (Make  
 sure legs go through to ground).

**Step 2 and step 3**  
 Invert 1st and 2nd level panels (**closed hole  
 sockets**) and place **12" legs** in outside  
 rows of sockets. Next return panels to  
 upright position and place on **12" and 24"**  
**legs** in floor panels.

**Step 4**  
 Invert 3rd level panel (**closed hole  
 sockets**) and place **12" legs** in outside  
 row of sockets. Next return panel to  
 upright position and place on **36" legs** in  
 floor panel.