

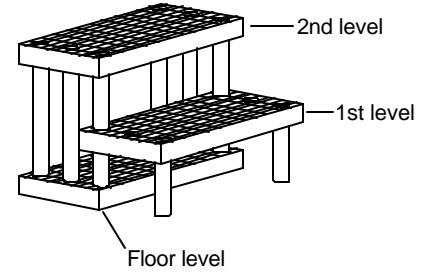


CW362402

ASSEMBLY INSTRUCTIONS

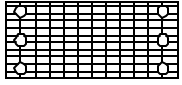
2 SHELF WALL UNIT - 36"

Fully Assembled

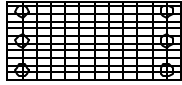


Components Required for Assembly

Panels:



(1) Floor Panel
(open hole sockets)



(2) 1st and 2nd Levels
(closed hole sockets)

Legs:

(4) 24"
(6) 12"

Accessories:

Oil and Sponge

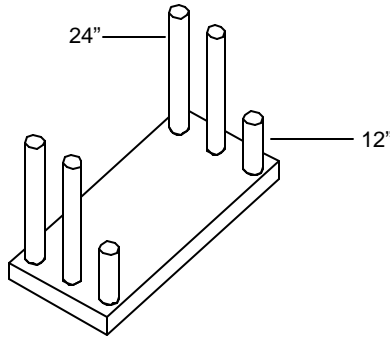
All sockets must be oiled
before assembly



**Check All
Components**

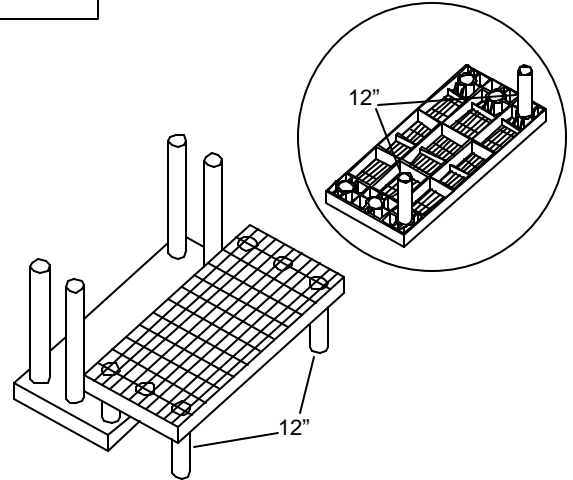
Step 1 Floor level

Place floor panel (**open hole sockets**) in position and insert legs as shown. (Make sure legs go through to ground).



Step 2 1st level

Invert 1st level panel (**closed hole sockets**) and insert (2) 12" legs in outside corner sockets as shown. Next return panels to upright position and place on (2) 12" legs in floor panel.



Step 3 2nd level

Invert 2nd level panel (**closed hole sockets**) and insert (2) 12" legs in outside corner sockets. Next return panel to upright position and place on (4) 24" legs in floor panel.

