

ASSEMBLY INSTRUCTIONS

BR607304T

Components:

Panels: 4

1 - 1st Level
(5' Panel)

1 - 2nd Level
(4' Panel)

1 - 3rd Level
(3' Panel)

1 - 4th Level
(30" Panel)

Legs:

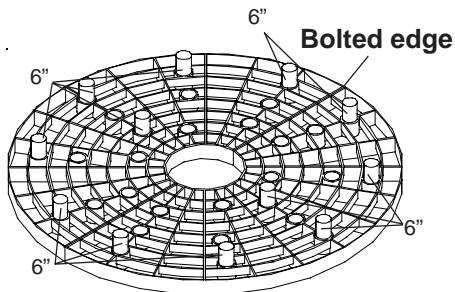
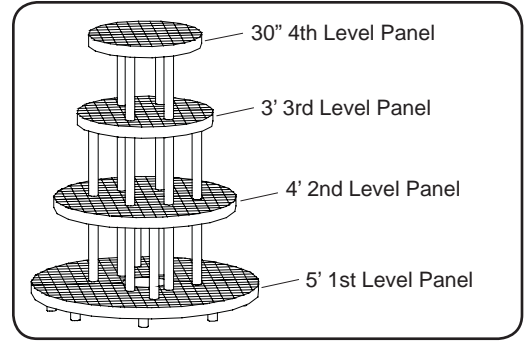
(12) 6"

(6) 22"

(4) 73"

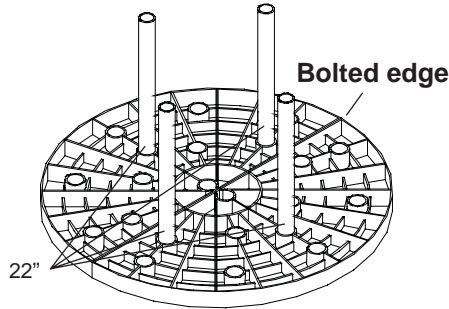
**Oil All Sockets
Before Assembly**

Fully Assembled



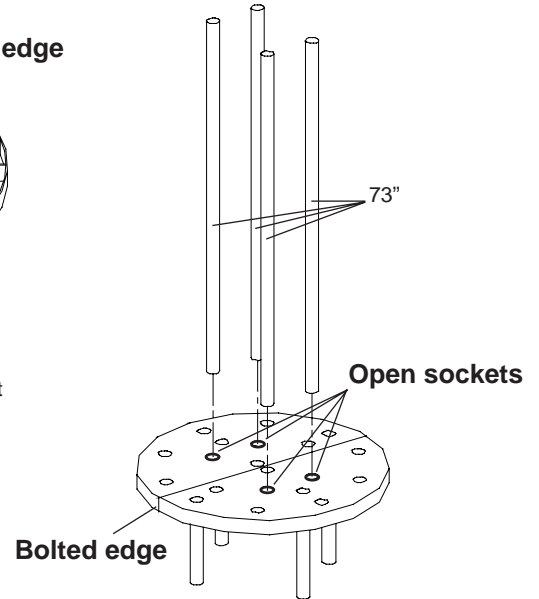
Step 1 1st Level

Invert 5' 1st level Panel and insert (12) 6" legs in sockets as shown.



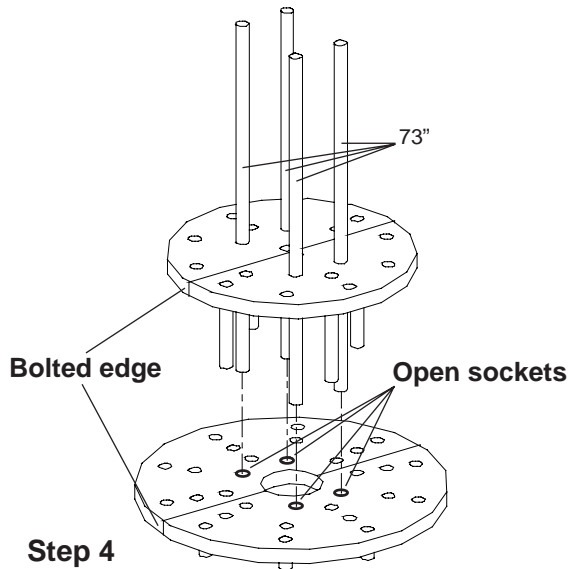
Step 2 2nd Level

Invert 4' 2nd Level Panel and insert (4) 22" legs in sockets as shown.



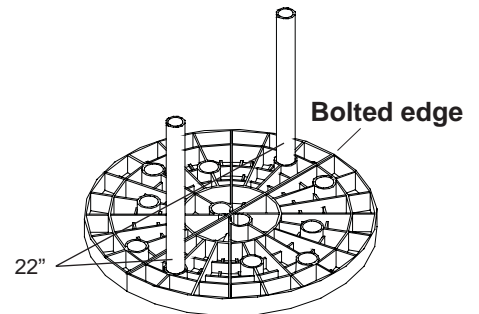
Step 3 2nd Level

Return 4' 2nd Level Panel to upright position and slide (4) 73" legs through (4) open sockets. Push legs down until they rest on the ground.



Step 4 2nd Level

Position 4' 2nd Level Panel on 5' 1st Level Panel and align Bolted edges. Next slide (4) 73" legs through (4) open sockets in the 5' 1st Level panel. Push legs down until they rest on the ground.



Step 5 3rd Level

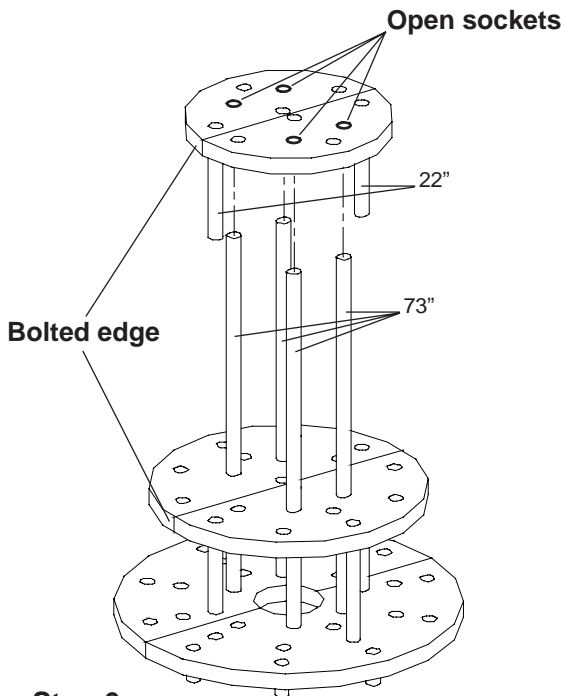
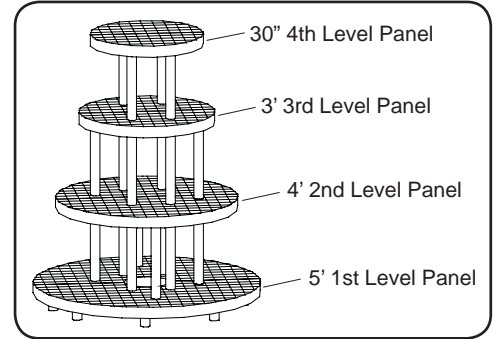
Invert 3' 3rd Level Panel and insert (2) 22" legs in sockets as shown.

ASSEMBLY INSTRUCTIONS

BR607304T

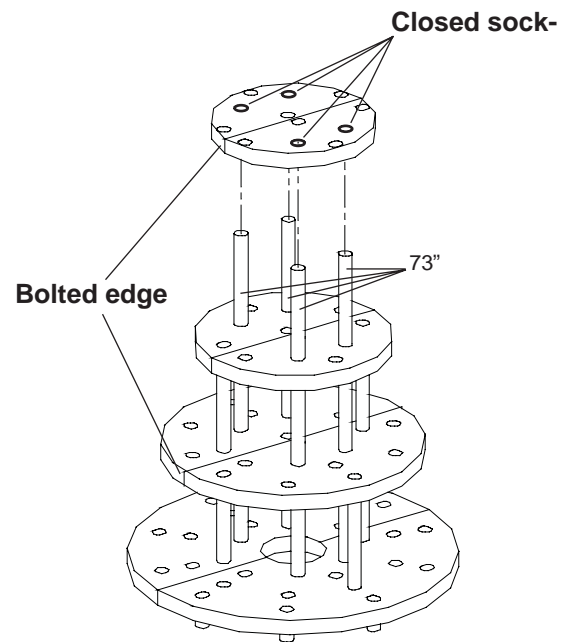
Oil All Sockets
Before Assembly

Fully Assembled



Step 6 3rd Level

Align the Bolted edges of the 3' 3rd Level Panel and the 4' 2nd Level Panel. Slide the 3' 3rd Level Panel down on (4) 73" legs through (4) open sockets as shown.



Step 7 4th Level

Align the Bolted edges of the 30" 4th Level Panel and the 3' 3rd Level Panel. Insert the (4) 73" legs into the (4) closed sockets in the 30" 4th Level Panel as shown. Push panel down until legs are fully seated in sockets.