

ASSEMBLY INSTRUCTIONS

BR603602TR

Components:

Panels: 2

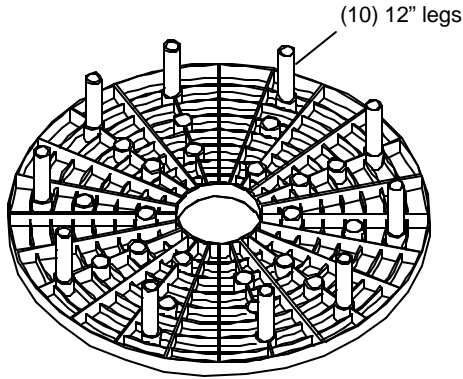
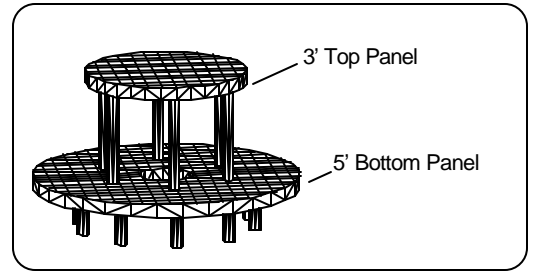
- 1 - Bottom Level (5' Panel)
- 1 - Top Level (3' Panel)

Legs:

- 6 - 36" Legs
- 10 - 12" Legs

Oil All Sockets
Before Assembly

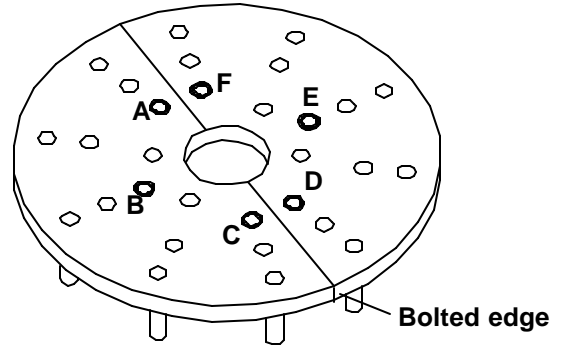
Fully Assembled



Step 1

Bottom Level

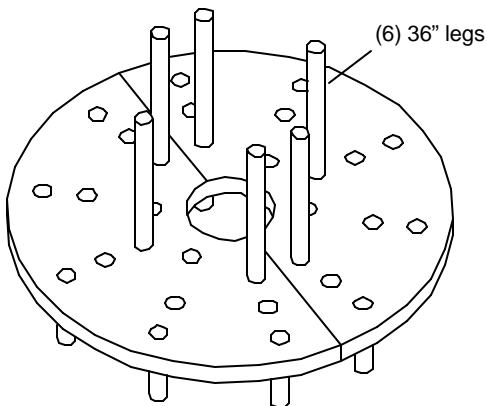
Invert 5' Bottom Panel and place (10) 12" legs in outside sockets as shown.



Step 2

Bottom Level

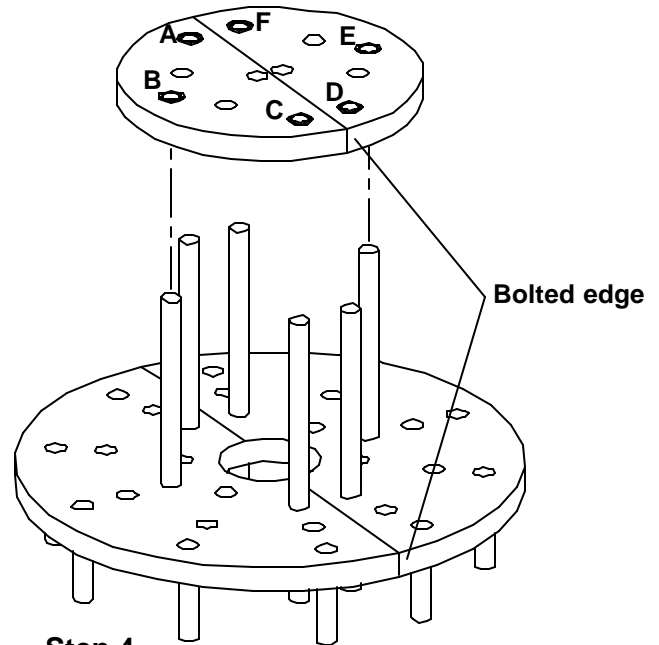
Set 5' Bottom Panel in upright position.



Step 3

Bottom Level

Place (6) 36" legs in sockets A,B,C,D,E and F. (Make sure legs go through to ground).



Step 4

Top Level

Place 3' Top Panel onto 36" legs using sockets A,B,C,D,E and F as shown. (Make sure panel is pushed all the way down).