

# ASSEMBLY INSTRUCTIONS

## BR603602E / RTHE35 Endcap

### Components:

#### Panels: 2 Halves

1 - Lower Level  
(5' Panel)

1 - Top Level  
(3' Panel)

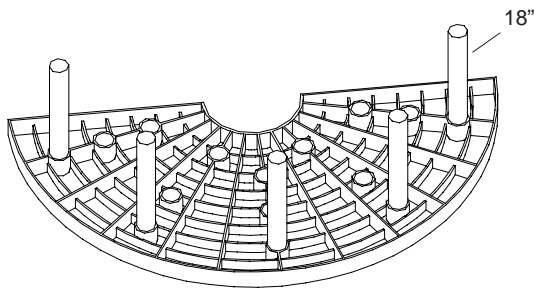
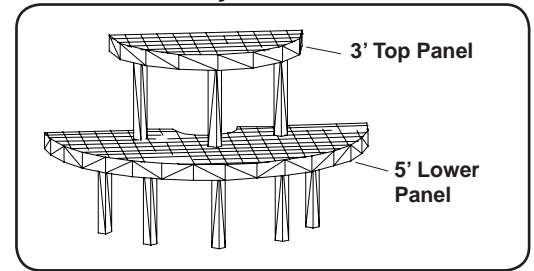
#### Legs:

5 -- 18"

3 -- 36"

**Oil All Sockets  
Before Assembly**

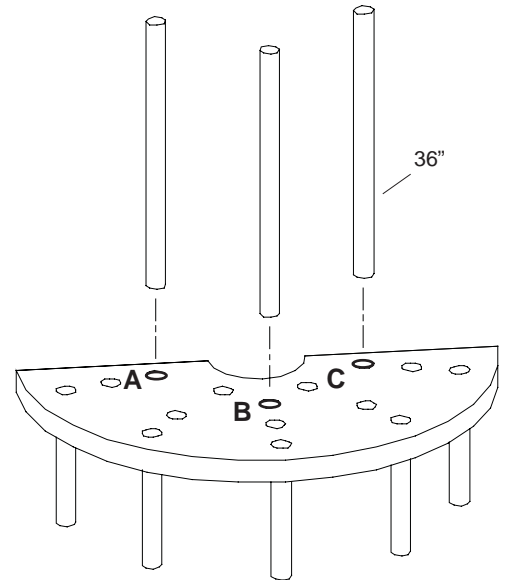
### Fully Assembled



### Step 1

#### Lower Level

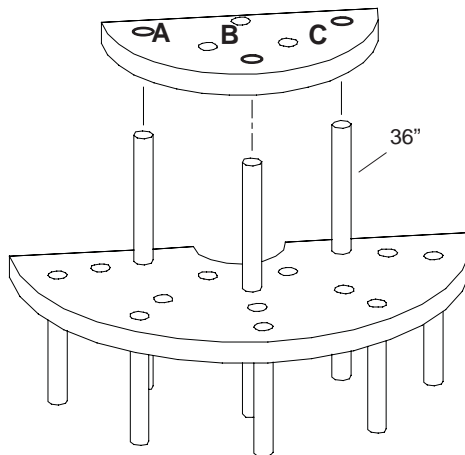
Invert 5' Lower Panel and place (5) 18" legs in sockets as shown.



### Step 2

#### Lower Level

Turn over and slide (3) 36" legs through sockets A, B and C as shown. (Push legs all the way down).



### Step 3

#### Top Level

Place 3' Top Panel on 36" legs using sockets A, B and C. (Make sure panel is pushed all the way down).