

# ASSEMBLY INSTRUCTIONS

## BR483602TR / RTR304

### Components:

#### Panels: 2

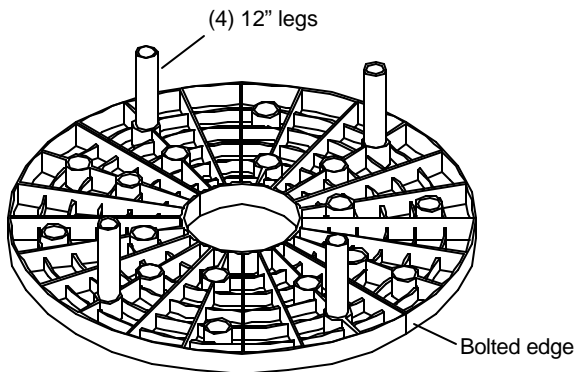
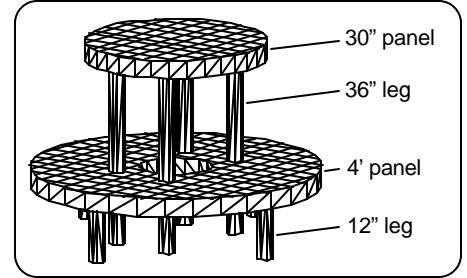
- 1 - (4' round)
- 1 - (30" round)

#### Legs:

- (4) -- 12"
- (4) -- 36"

**Oil All Sockets  
Before Assembly**

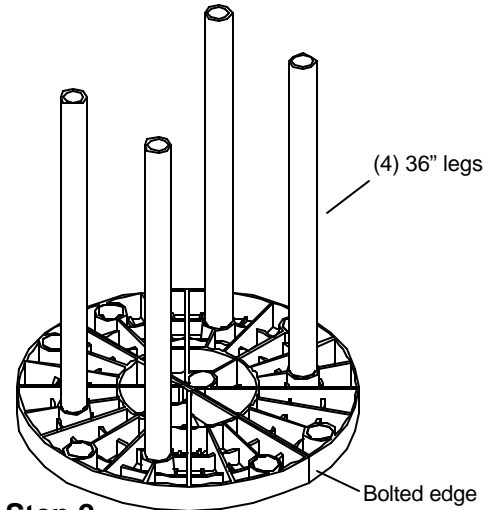
### Fully Assembled



### Step 1

#### Floor Level

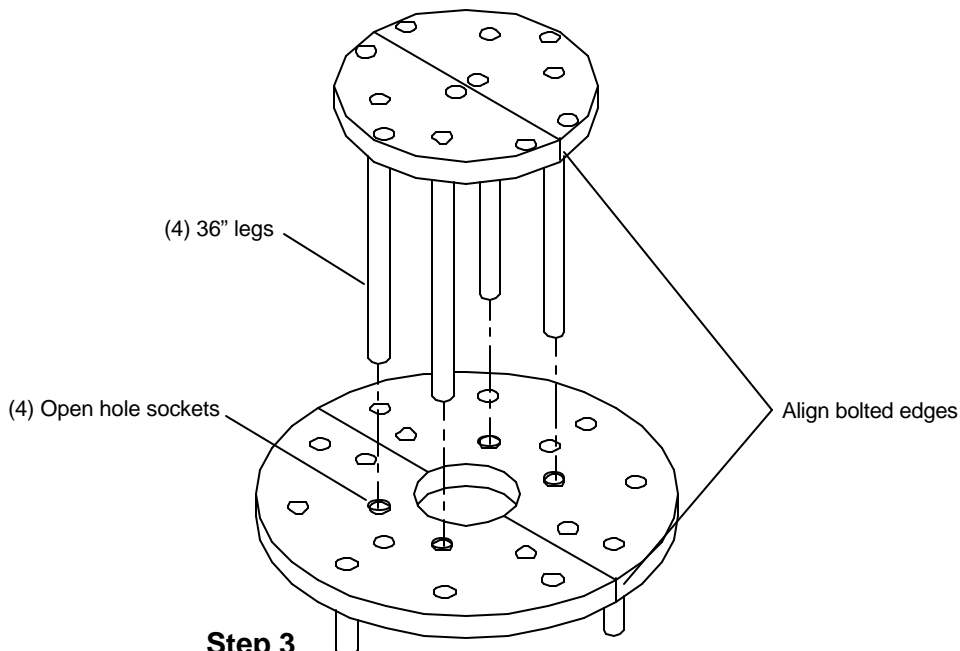
Invert 4' **bottom panel** and insert (4) **12"** legs into sockets as shown.



### Step 2

#### Floor Level

Invert 30" **top panel** and insert (4) **36"** legs into sockets as shown.



### Step 3

#### Top Level

Position 30" **top panel** on 4' **bottom panel** and slide (4) **36"** legs down through open sockets in bottom panel as shown.