

ASSEMBLY INSTRUCTIONS

BR483602E

Components:

Panels: 2 Halves

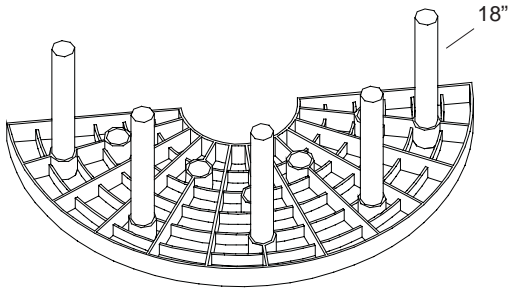
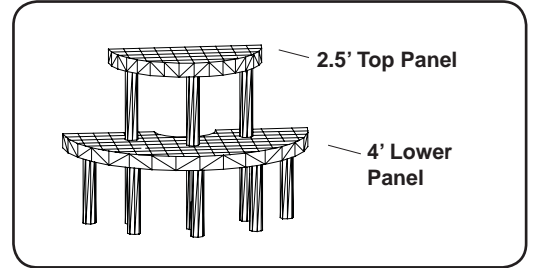
- 1 - Lower Level (4' Panel)
- 1 - Top Level (2.5' Panel)

Legs:

- 5 -- 18"
- 3 -- 36"

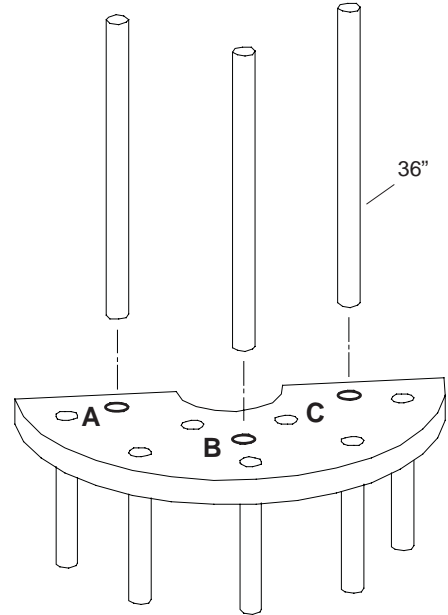
**Oil All Sockets
Before Assembly**

Fully Assembled



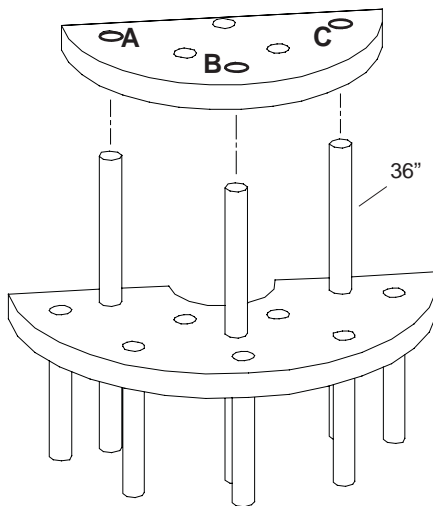
Step 1 Lower Level

Invert 4' Lower Panel and place (5) 18" legs in sockets as shown.



Step 2 Lower Level

Turn over and slide (3) 36" legs through sockets A,B and C as shown. (Push legs all the way down).



Step 3 Top Level

Place 2.5' Top Panel on 36" legs using sockets A,B and C. (Make sure panel is pushed all the way down).