

ASSEMBLY INSTRUCTIONS

BR482402E

Components:

Panels: 2 Halves

1 - Lower Level
(4' Panel)

1 - Top Level
(2.5' Panel)

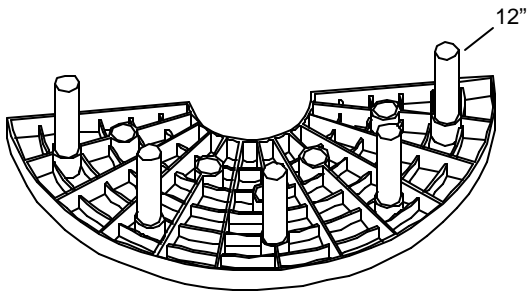
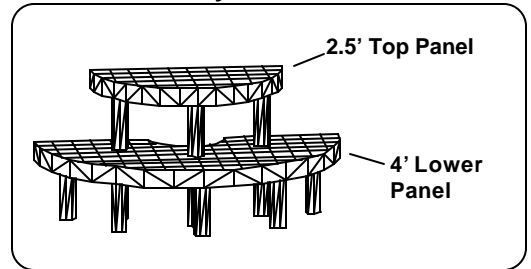
Legs:

5 -- 12"

3 -- 24"

**Oil All Sockets
Before Assembly**

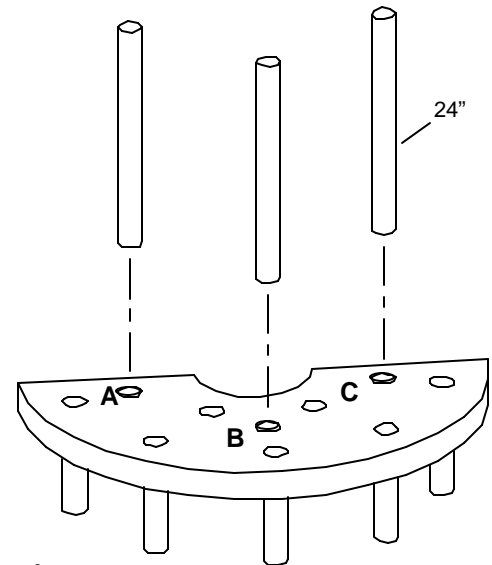
Fully Assembled



Step 1

Lower Level

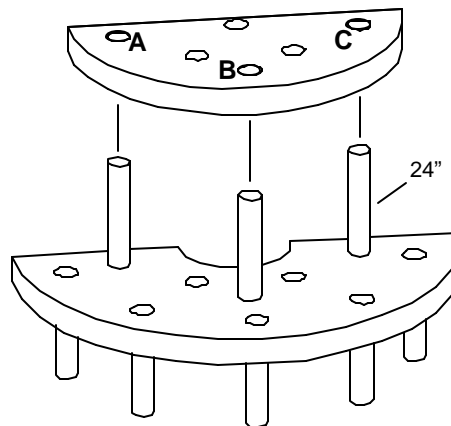
Invert 4' Lower Panel and place (5) 12" legs in sockets as shown.



Step 2

Lower Level

Turn over and slide (3) 24" legs through sockets A, B and C as shown. (Push legs all the way down).



Step 3

Top Level

Place 2.5' Top Panel on 24" legs using sockets A, B and C. (Make sure panel is pushed all the way down).