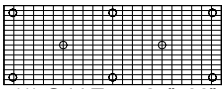


BPSR66092402

Oil all sockets before assembly

Components:
BPSR66092402
Panels

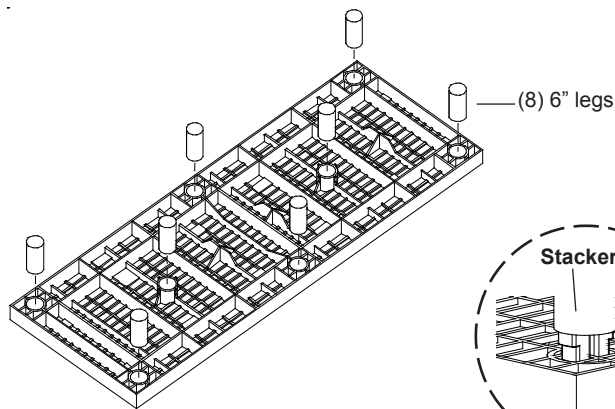
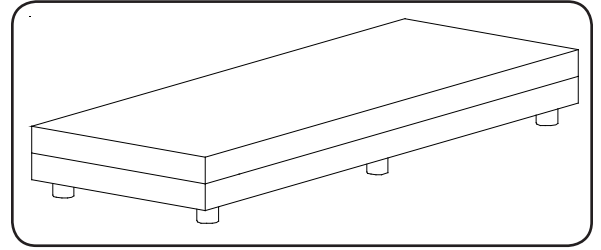
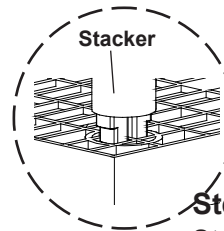
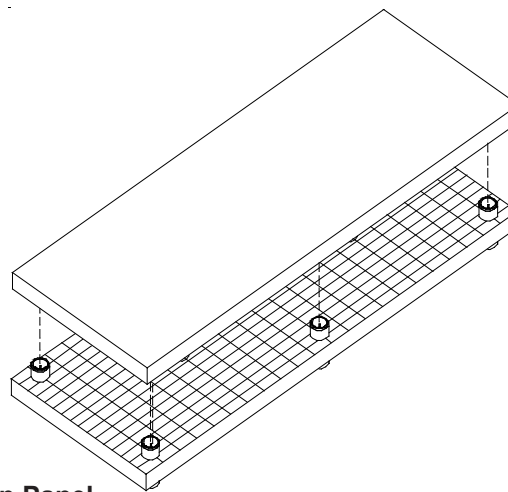
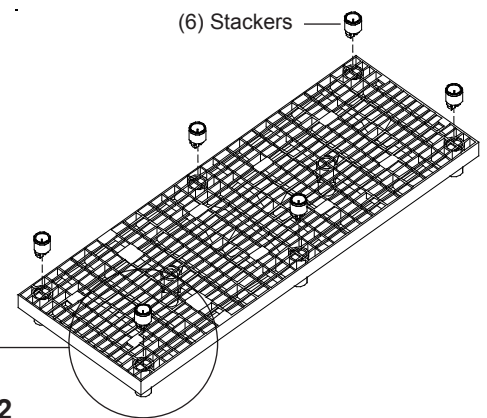
(1) Solid Top - 24"x66"



(1) Grid Top - 24"x66"

Legs: (8) - 6" legs

(6) - Stackers

Final Assembly**Step 1**
Grid PanelInvert **Grid Panel** and place **(8) 6" Legs** in all 8 sockets as shown. (Make sure legs are pushed all the way down).**Step 2**
Stacker InsertionReturn **Grid Panel** in the upright position. Place **(6) Stackers** in the grid of all 6 outside sockets as shown. (Make sure stackers are pushed all the way down).**Step 3**
Solid Top PanelNext, align the sockets of the **Solid Top Panel** above the **Stackers** and push panel all the way down until resting on the **Grid Panel** as shown. (Make sure the panels are pushed together tightly).