


BenchmasterR ASSEMBLY INSTRUCTIONS

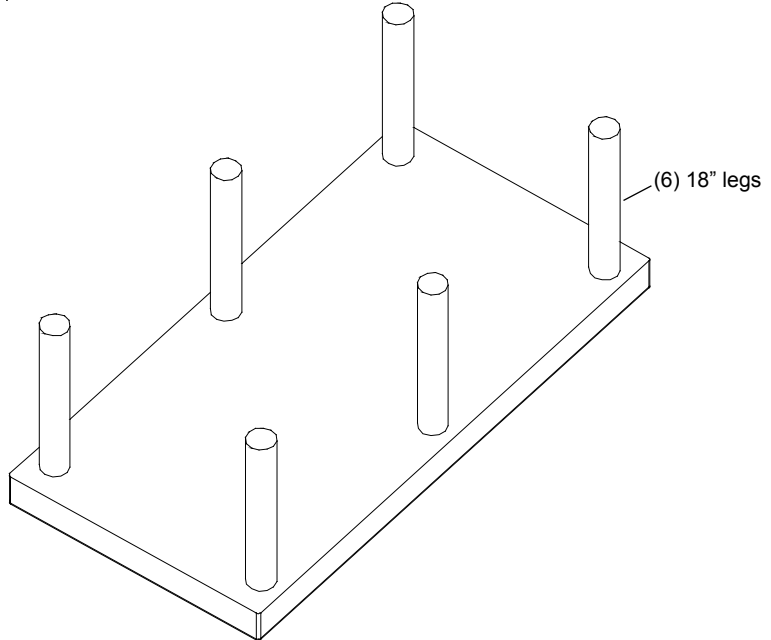
BMS481801S

Oil all sockets before assembly

Components:
BMS481801S

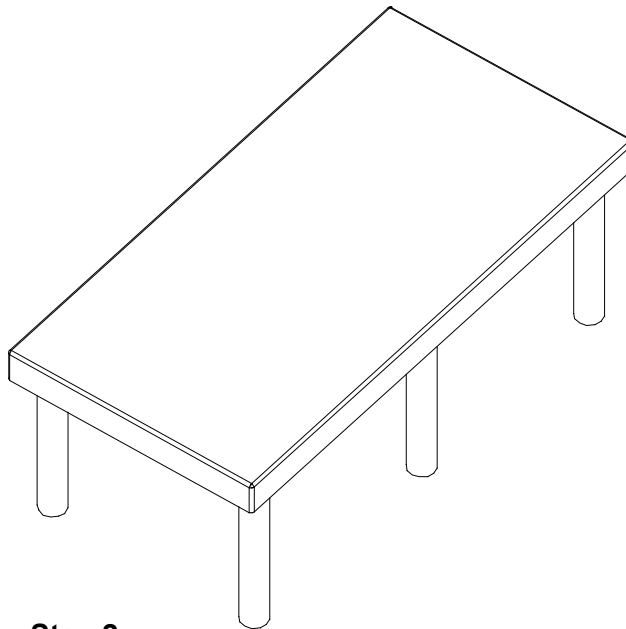


Panels: (1) - 48"x24"
Legs: (6) - 18" legs



Step 1

Invert panel and place **18" legs** as shown.
(Make sure legs are pushed all the way down).



Step 2

Return bench to upright position.