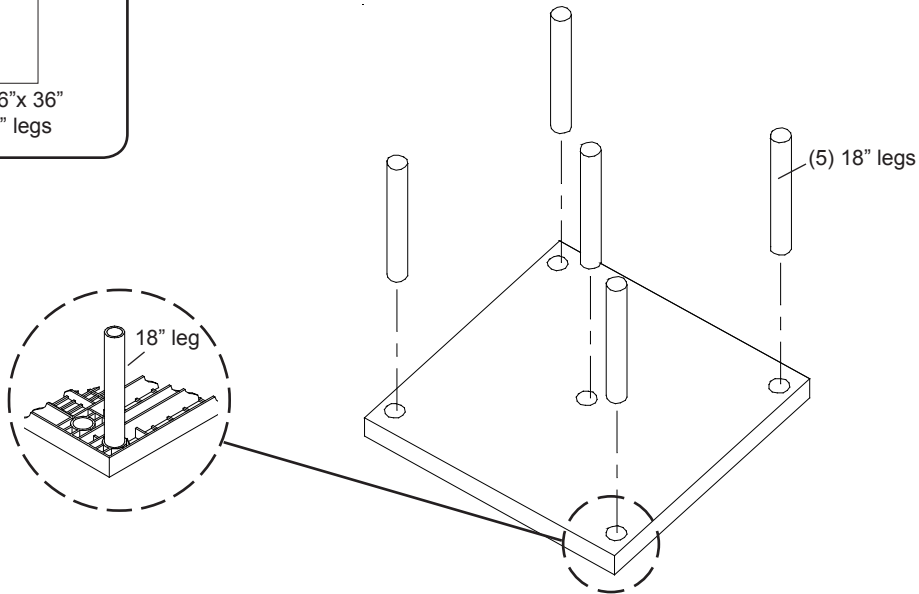
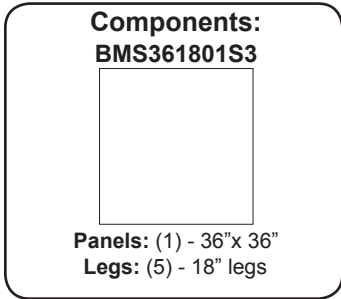


# BenchmasterR ASSEMBLY INSTRUCTIONS

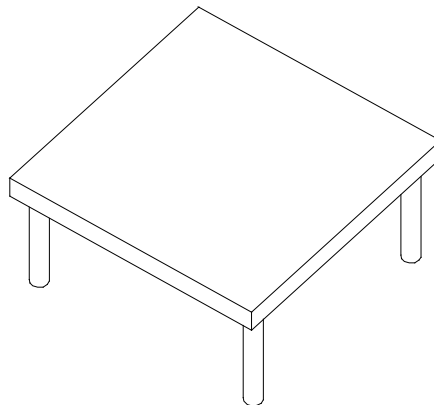
## BMS361801S3

Oil all sockets before assembly



### Step 1

Invert panel and place **18" legs** as shown.  
(Make sure legs are pushed all the way down).



### Step 2

Return bench to upright position.