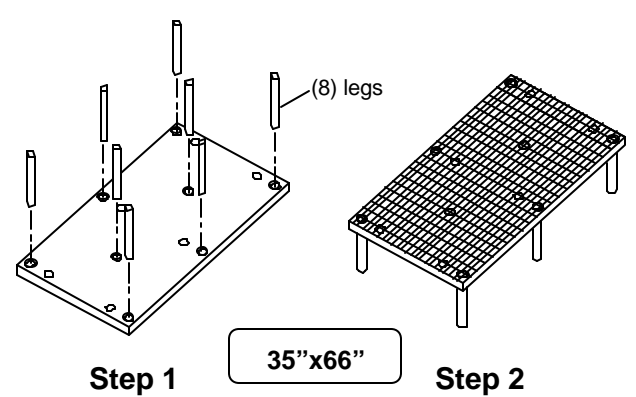
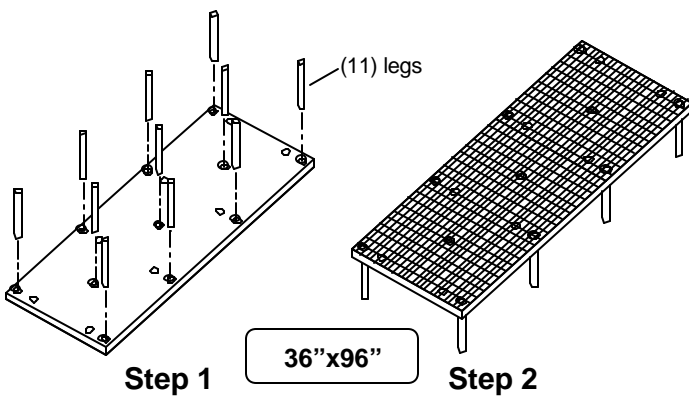
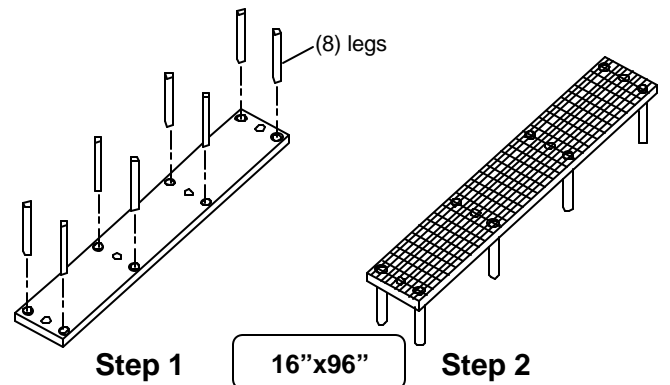
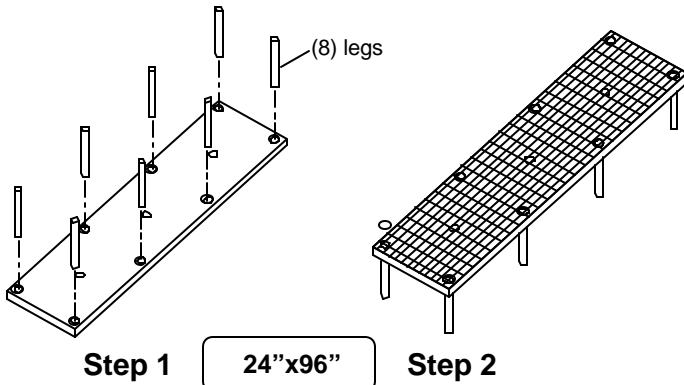
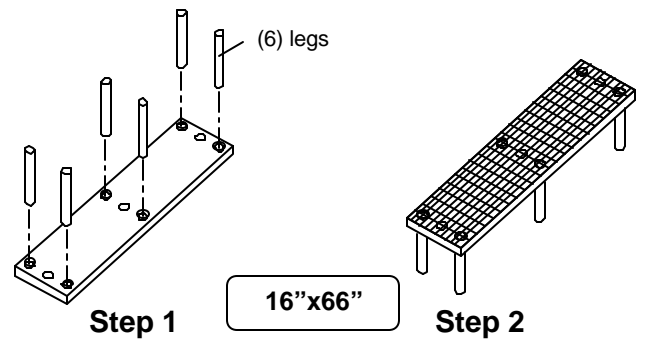
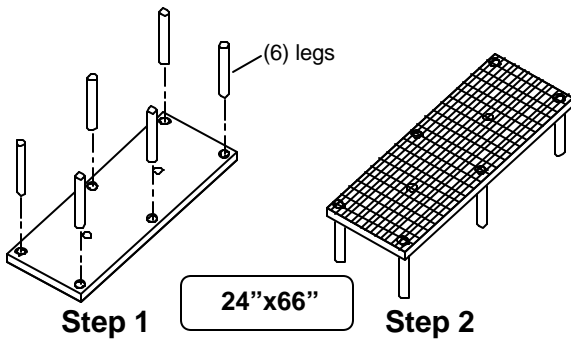
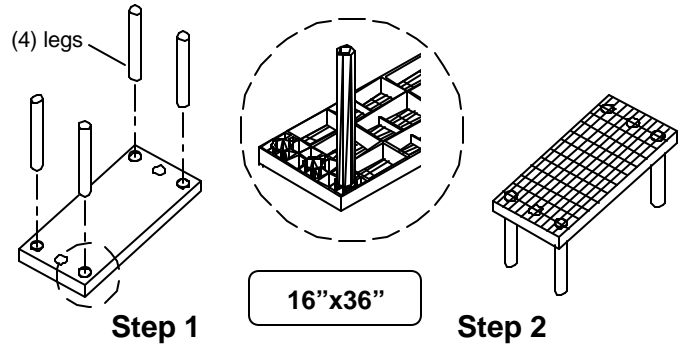
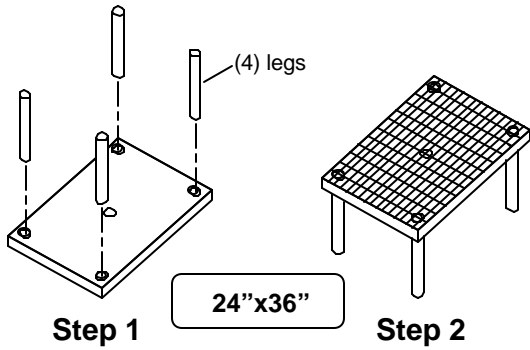


# BenchmasterR ASSEMBLY INSTRUCTIONS

## SINGLE LEVEL UNIT

Oil all sockets before assembly



### Step 1

Invert panel and place legs in sockets as shown. (Make sure legs are pushed all the way down).

### Step 2

Return bench to upright position.