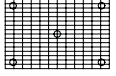
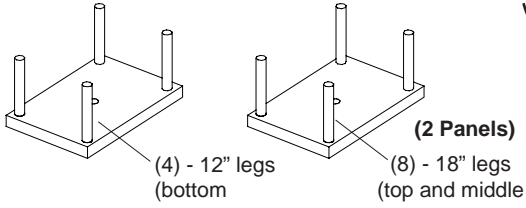


**MULTI LEVEL**  
Oil all sockets before assembly

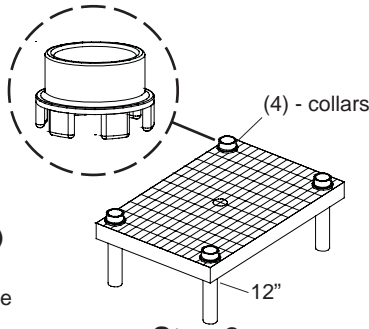
**COMPONENTS:**  
BM364803S-36"



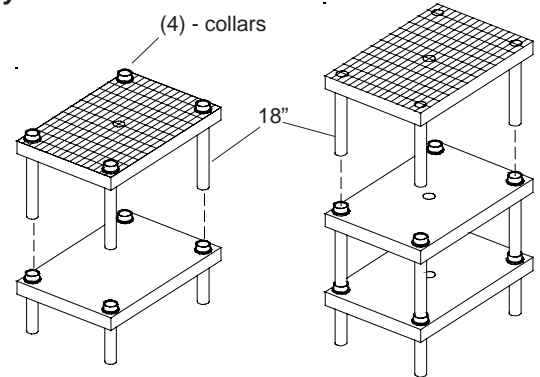
**Panels:** (3) 2'x3'  
**Legs:** (4) 12" and (8)  
**Collars:** (8)



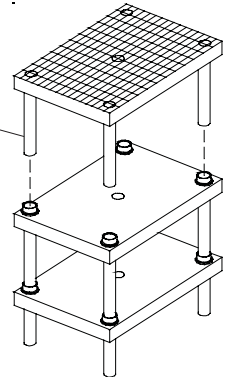
**Step 1**  
Top, Middle and Bottom Levels



**Step 2**  
Bottom Level

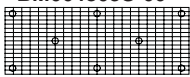


**Step 3**  
Middle Level

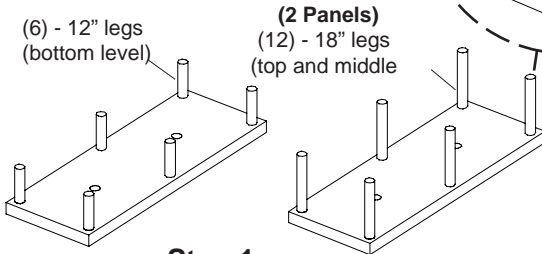


**Step 4**  
Top Level

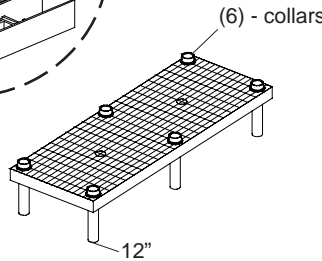
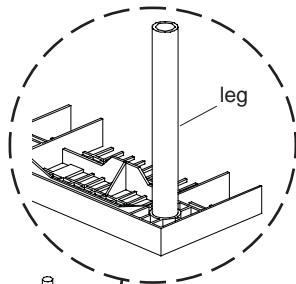
**COMPONENTS:**  
BM664803S-66"



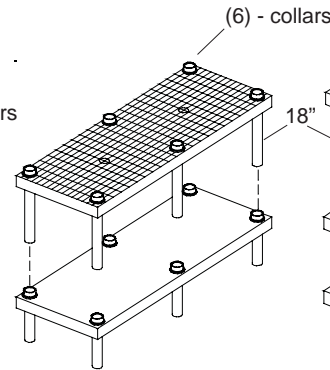
**Panels:** (3) 2'x5.5'  
**Legs:** (6) 12" and (12) 18"  
**Collars:** (12)



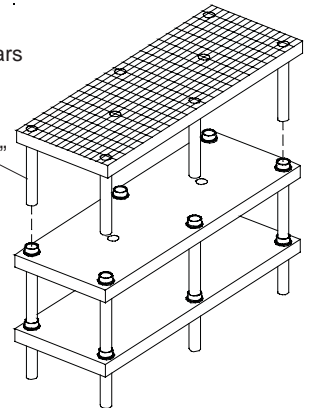
**Step 1**  
Top, Middle and Bottom Levels



**Step 2**  
Bottom Level




**Step 3**  
Middle Level

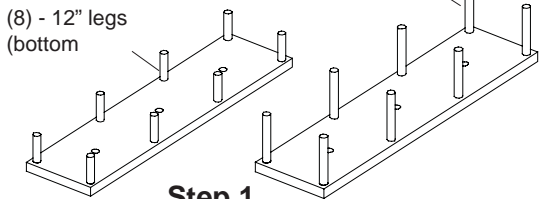


**Step 4**  
Top Level

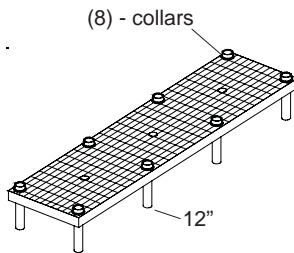
**COMPONENTS:**  
BM964803S-96"



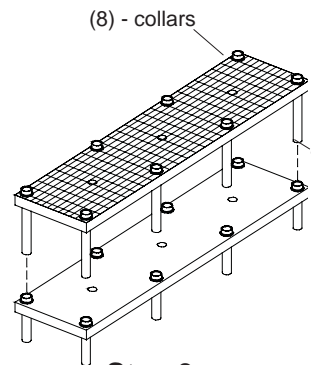
**Panels:** (3) 2'x8'  
**Legs:** (8) 12" and (16) 18"  
**Collars:** (16)



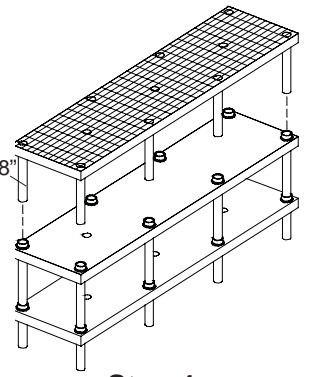
**Step 1**  
Top, Middle and Bottom Levels



**Step 2**  
Bottom Level



**Step 3**  
Middle Level



**Step 4**  
Top Level

**Step 1**

Invert (3) panels and insert 12" legs (bottom panel) and 18" legs (top and middle panels) into oiled sockets as shown. (Make sure legs are pushed all the way down).

**Step 2**

Set all panels in upright position and place collars over outside sockets in bottom and middle level panels. (Collars slide down onto sockets through grid directly over legs).

**Step 3**

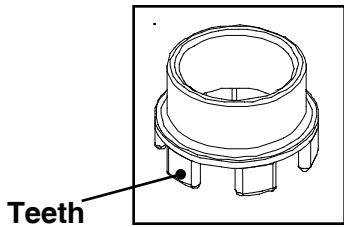
Position middle shelf on bottom shelf inserting legs into holes in collars as shown.

**Step 4**

Position top shelf on middle shelf inserting legs into holes in collars. (Make sure legs are pushed all the way down).

# ASSEMBLY INSTRUCTIONS

## 2- Options to Secure Legs to Panels

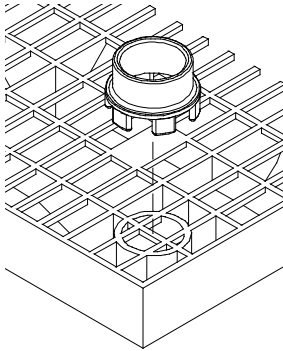


**Leg Collar**

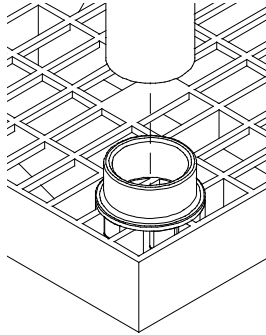
### How to use the Leg Collar

First, place the collar over socket aligning teeth of collar to fit through grids.

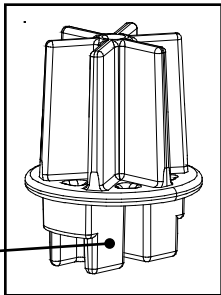
Second, Leg is inserted into the leg collar.



**Collar Placement**



**Leg Placement on  
Collar**

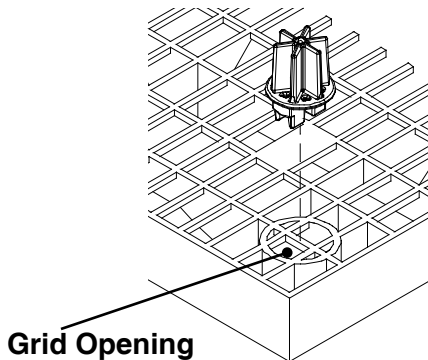


**Internal Leg  
Stacker**

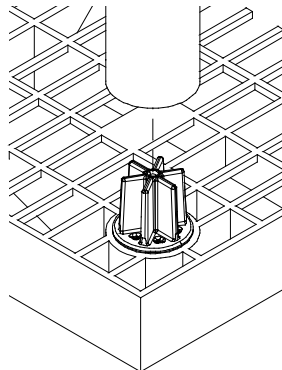
### How to use the Internal Leg Stacker

First, Place the stacker over socket aligning the prongs with the D-shaped holes, and push down.

Second, leg is inserted over the leg stacker.



**Internal Leg Stacker  
Placement**



**Leg Placement on  
Internal Leg Stacker**