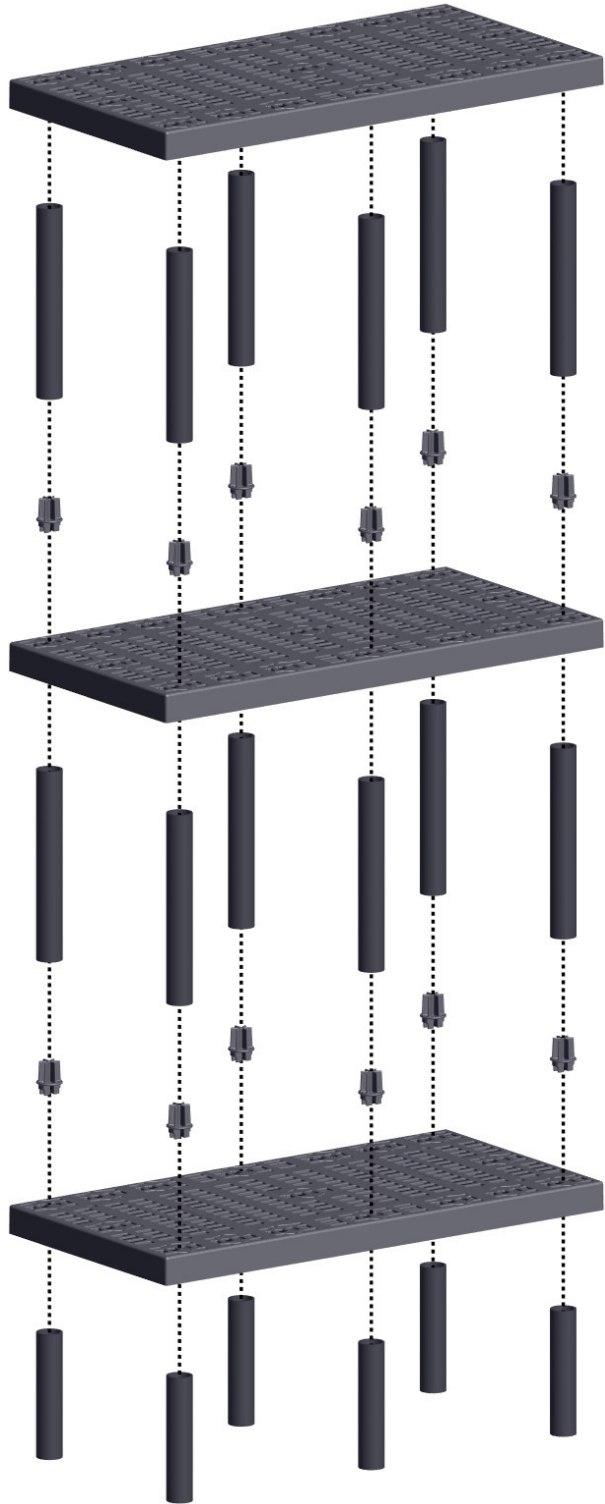
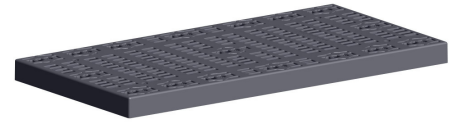


Exploded View



Items List



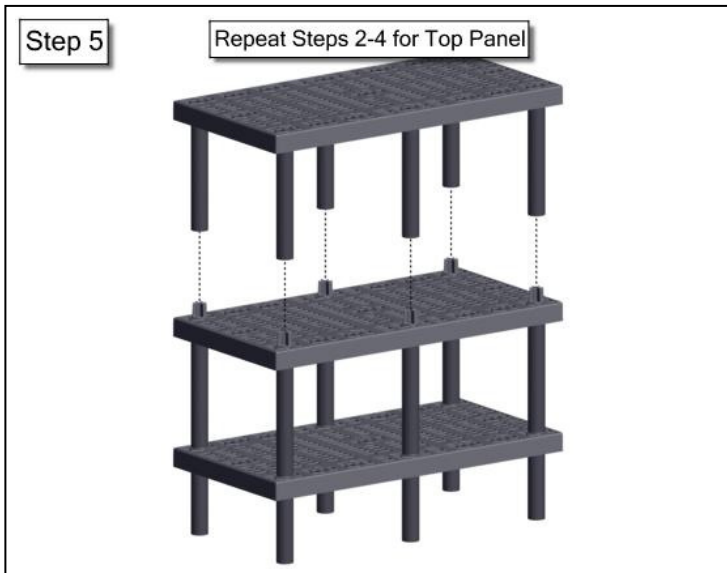
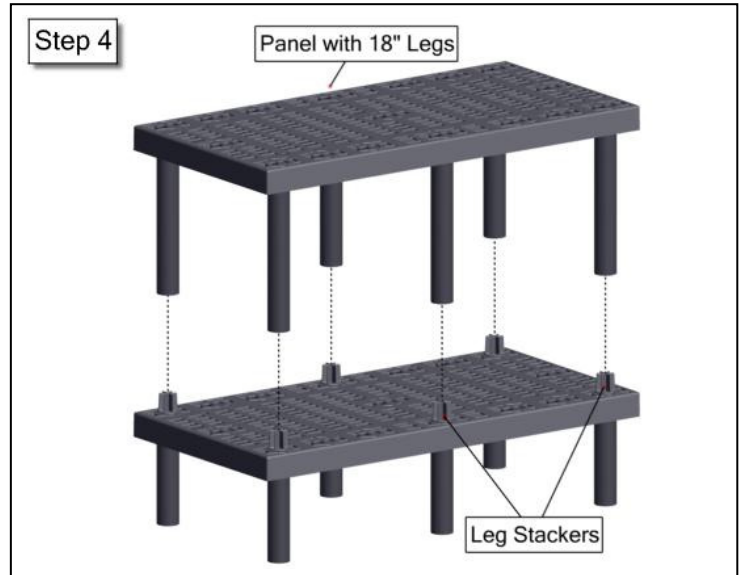
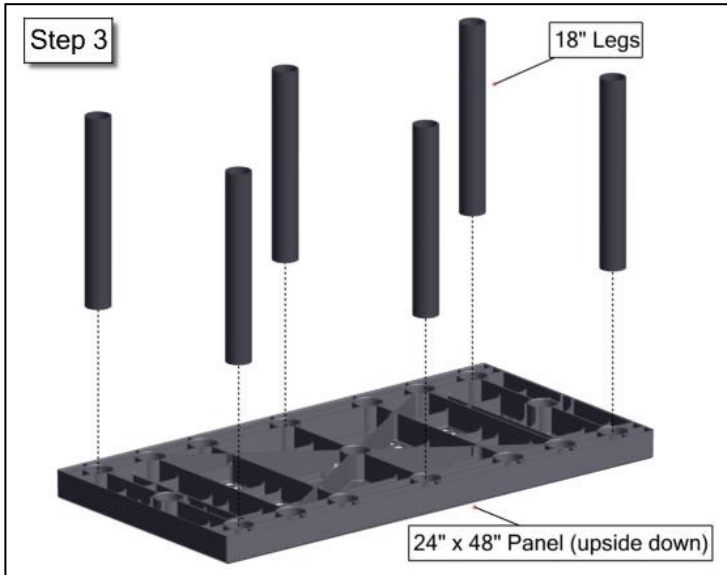
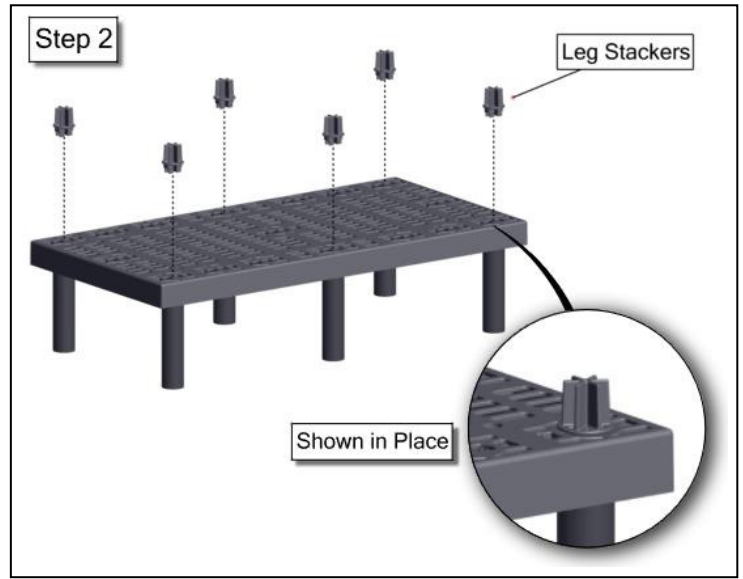
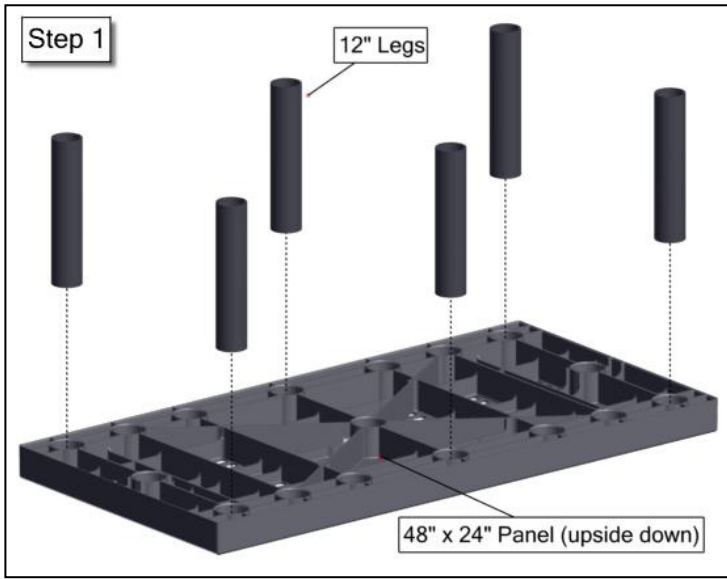
(3x) 48" x 24" Panels



(12x) 18 inch Legs
(6x) 12 inch Legs



(12x) Leg Stackers



Limited Warranty

A. Limited Warranty. Subject to the following terms and conditions, Structural Plastics Corporation (SPC) warrants its products to be free from defects in material and workmanship under normal use and service for which it was intended, but only if it has been properly installed and operated. SPC's obligation under this warranty is limited to replacing or repairing, free of charge, those products, which upon examination, disclose to the satisfaction of SPC to have been defective. The products must be returned to SPC at 3401 Chief Drive, Holly, MI 48442, with the transportation charges prepaid, within 90 days of the date of purchase. Proof of purchase must accompany any warranty claim.

B. Exclusions. The limited warranty provided by SPC shall not apply to any repairs or replacements that may be required due to physical abuse of the product, misuse, alterations or modifications made to the product, damage resulting from accident or cause not within the control of SPC.

C. Warranty Disclaimer. **THE WARRANTY DESCRIBED ABOVE IS IN LIEU OF ALL OTHER WARRANTIES, EXPRESSED OR IMPLIED, INCLUDING WITHOUT LIMITATION, ANY WARRANTIES OF MERCHANTABILITY OR FITNESS FOR A PARTICULAR PURPOSE, SAID WARRANTIES BEING EXPRESSLY DISCLAIMED.**

D. Limitations and Liability. SPC shall not be liable for any loss or damage resulting, directly or indirectly, from the use, delay in delivery, installation or repair, or for any failure to perform which is due to circumstances beyond SPC's control. The maximum liability, if any, of SPC for all direct or indirect damages, including without limitation, contract damages and damages for injuries to persons or property, whether arising from SPC's breach of this agreement, breach of warranty, negligence, or any other cause, is limited to an amount not to exceed the original purchase price. In no event shall SPC be liable for any incidental, consequential or special damages. The right to recover damages within the limitations specified is purchaser's exclusive remedy in the event that any other contractual remedy fails of its essential purpose.