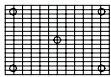
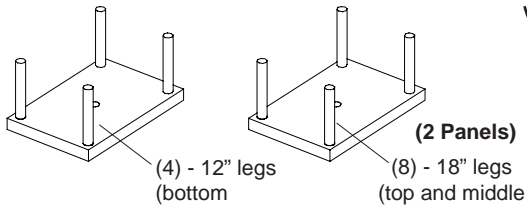


MULTI LEVEL
Oil all sockets before assembly

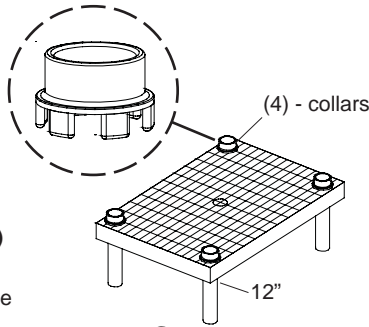
COMPONENTS:
BM364803S-36"



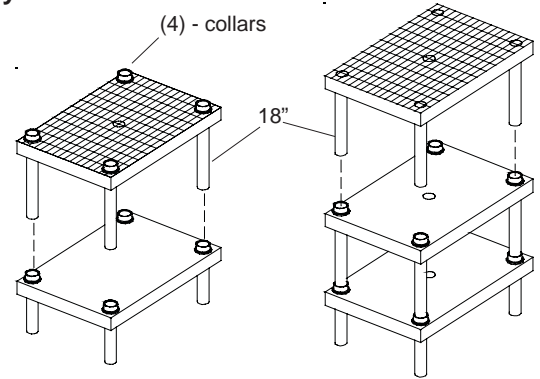
Panels: (3) 2'x3'
Legs: (4) 12" and (8)
Collars: (8)



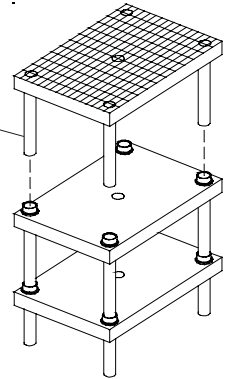
Step 1
Top, Middle and Bottom Levels



Step 2
Bottom Level

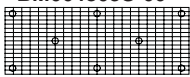


Step 3
Middle Level

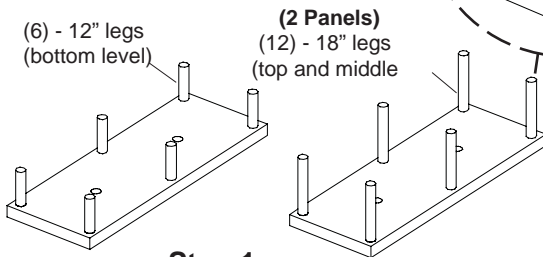


Step 4
Top Level

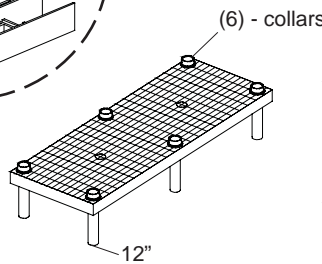
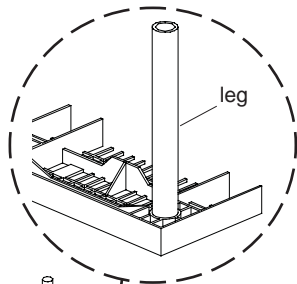
COMPONENTS:
BM664803S-66"



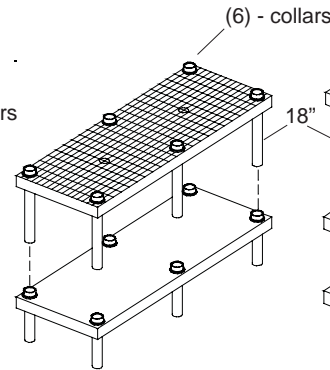
Panels: (3) 2'x5.5'
Legs: (6) 12" and (12) 18"
Collars: (12)



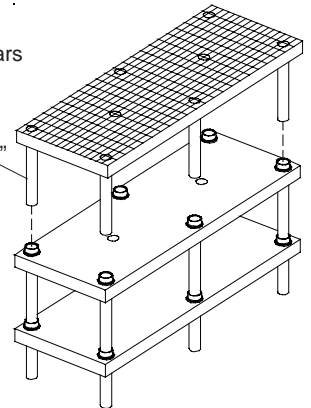
Step 1
Top, Middle and Bottom Levels



Step 2
Bottom Level




Step 3
Middle Level

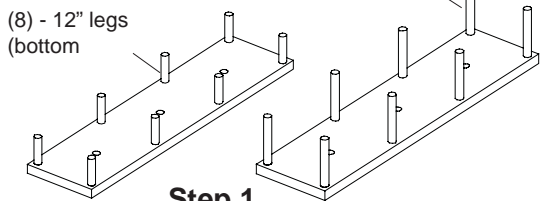


Step 4
Top Level

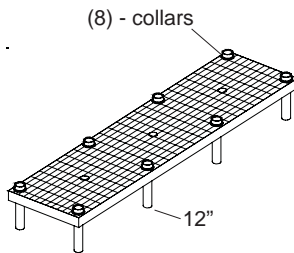
COMPONENTS:
BM964803S-96"



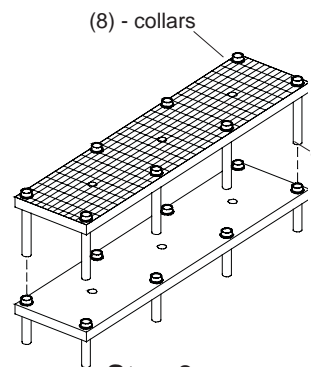
Panels: (3) 2'x8'
Legs: (8) 12" and (16) 18"
Collars: (16)



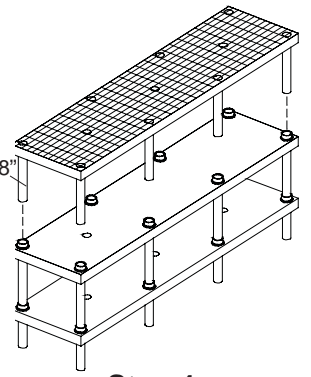
Step 1
Top, Middle and Bottom Levels



Step 2
Bottom Level



Step 3
Middle Level



Step 4
Top Level

Step 1

Invert (3) panels and insert 12" legs (bottom panel) and 18" legs (top and middle panels) into oiled sockets as shown. (Make sure legs are pushed all the way down).

Step 2

Set all panels in upright position and place collars over outside sockets in bottom and middle level panels. (Collars slide down onto sockets through grid directly over legs).

Step 3

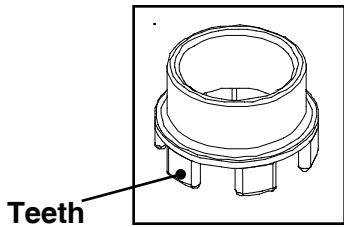
Position middle shelf on bottom shelf inserting legs into holes in collars as shown.

Step 4

Position top shelf on middle shelf inserting legs into holes in collars. (Make sure legs are pushed all the way down).

ASSEMBLY INSTRUCTIONS

2- Options to Secure Legs to Panels

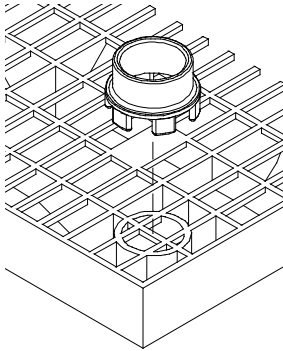


Leg Collar

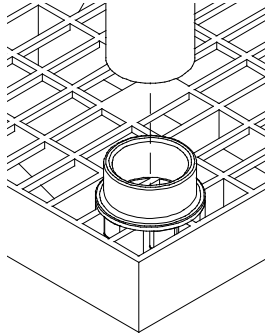
How to use the Leg Collar

First, place the collar over socket aligning teeth of collar to fit through grids.

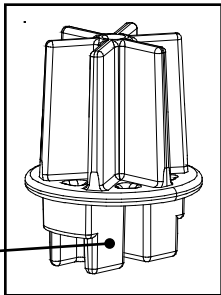
Second, Leg is inserted into the leg collar.



Collar Placement



Leg Placement on Collar

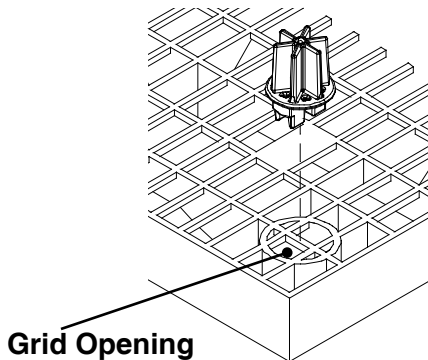


Internal Leg Stacker

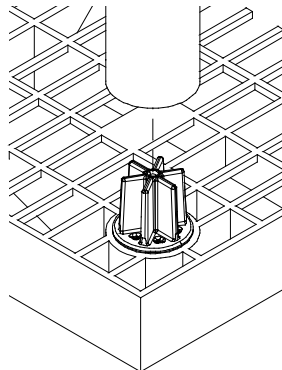
How to use the Internal Leg Stacker

First, Place the stacker over socket aligning the prongs with the D-shaped holes, and push down.

Second, leg is inserted over the leg stacker.



Internal Leg Stacker Placement



Leg Placement on Internal Leg Stacker