

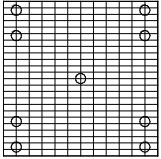
# BenchmasterR ASSEMBLY INSTRUCTIONS

## BM361801S3

Oil all sockets before assembly

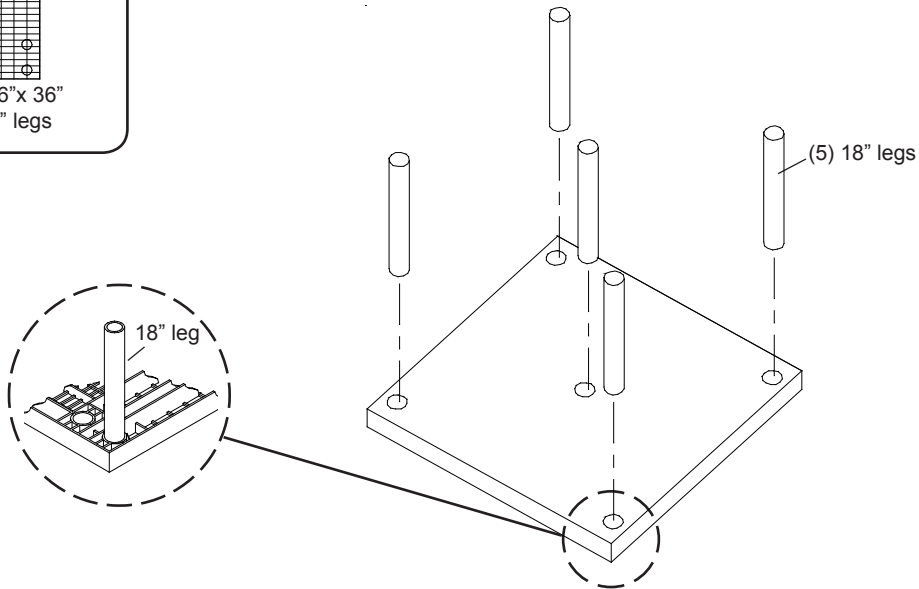
### Components:

#### BM361801S3



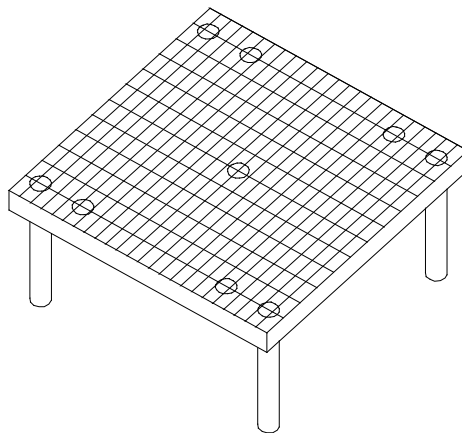
Panels: (1) - 36" x 36"

Legs: (5) - 18" legs



### Step 1

Invert panel and place **18" legs** as shown.  
(Make sure legs are pushed all the way down).



### Step 2

Return bench to upright position.